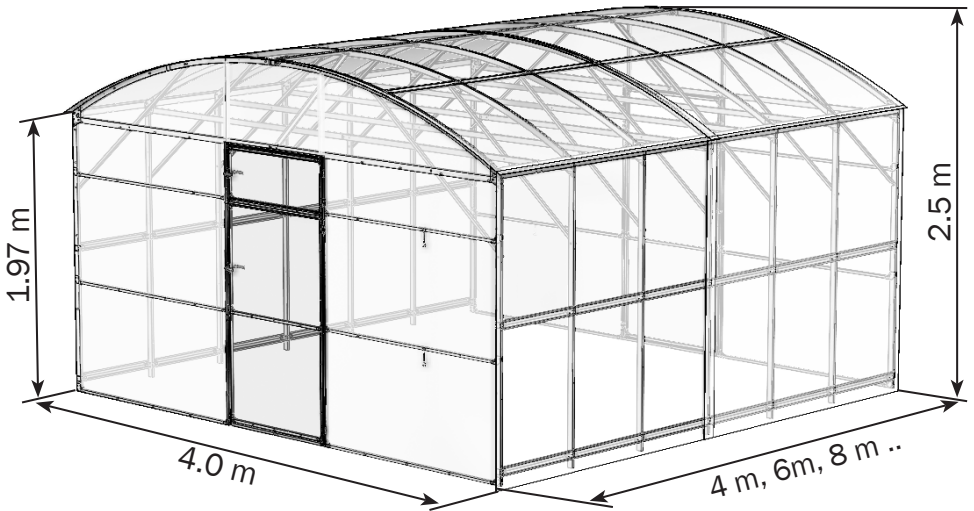
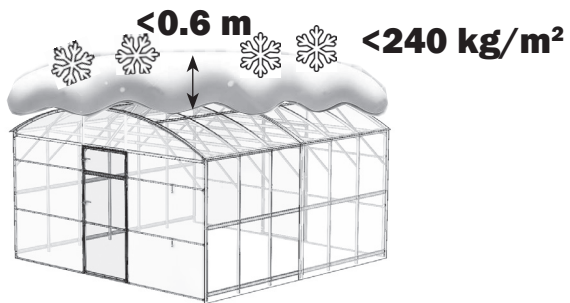
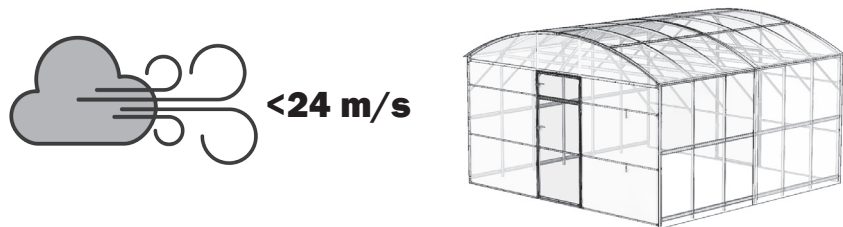
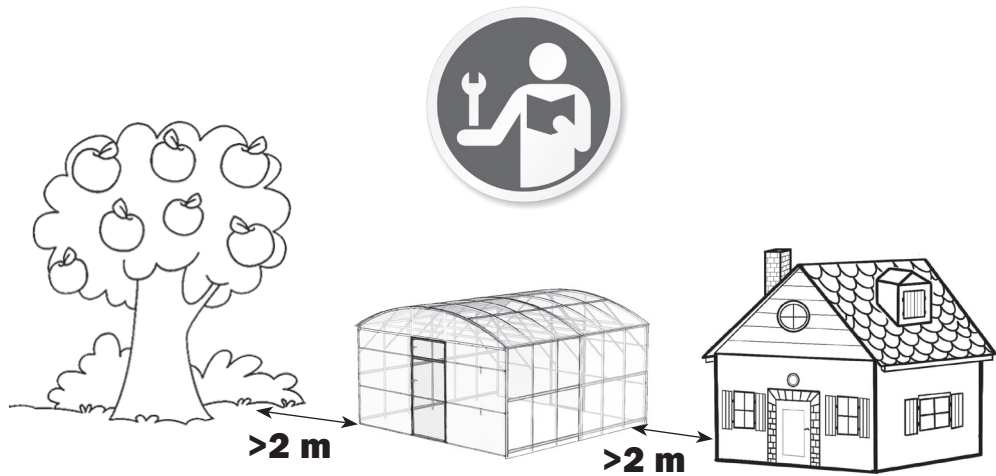


PRIMA 4

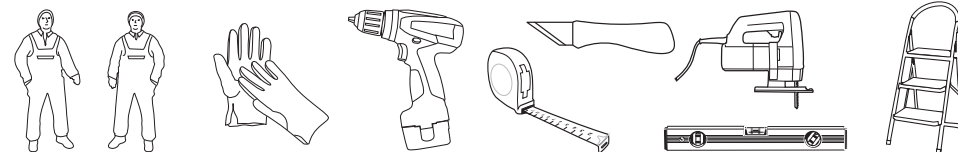














































L		
4 m	0	x 6
6 m	x 1	x 7
8 m	x 2	x 9
10 m	x 3	x 11
12 m	x 4	x 12
14 m	x 5	x 14



24x



				
№1				
1	2		0.65 m	x 42
2	УС		0.87 m	x 2
№2				
3	14		1.5 m	x 14
4	15		1.49 m	x 4
5	16		1.49 m	x 4
№3				
6	9-2		1.89 m	x 2
7	9-1		1.89 m	x 2
8	12		1.48 m	x 2
9	13-3		1.48 m	x 2
10	12-2		0.36 m	x 2
11	12-4		0.36 m	x 2
12	13		0.85 m	x 2
13	13-1		0.85 m	x 8
14	8-2		1.98 m	x 2
15	8-1		1.98 m	x 2
№4				
16	4Т		2.1 m	x 2
17	4Т-1		2.1 m	x 2
18	4		2.1 m	x 5
19	4-1		2.1 m	x 5














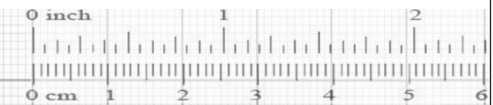
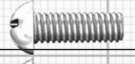
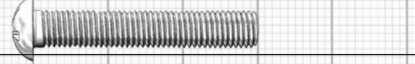
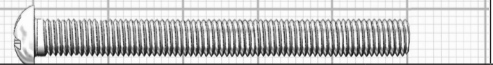
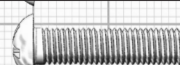
№5				
20	10		1.89 m	x 10
21	10-2		1.89 m	x 2
22	10-1		1.89 m	x 2
№6				
23	5		2.04 m	x 5
24	5-1		2.04 m	x 5
25	5Т		2.04 m	x 2
26	5Т-1		2.04 m	x 2
№7				
27	-		0.7 m	x 12
28	у1		0.75 m	x 2
29	у2		0.75 m	x 2
30	у8		0.75 m	x 2
31	у9		0.75 m	x 2
32	у10		0.41 m	x 2
33	у7		0.85 m	x 4
34	у17		0.41 m	x 2
№8				
35	-			x 35
36	-			x 35
37	-			x 14
38	-			x 12
39	-			x 12
40	-			x 40
41	-			x 32


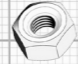
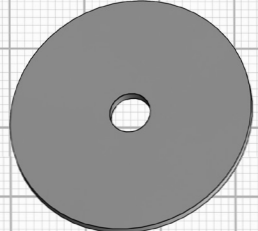
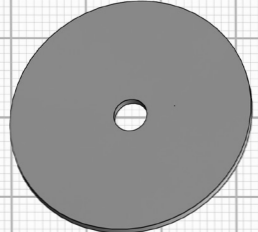
42			x 8
43			x 4
44			x 4
45			x 4
46			x 1
47			x 28
48			x 4
49	M4x12		x 132
50	M5x30		x 70
51	M5x50		x 30
52	M5x60		x 14
53	M5x30		x 62
54	M5x50		x 12
55	M6x16		x 48
56	4.8x19		x 500
57	M4		x 132
58	M5		x 196
59	M6		x 48
60	10		x 16

61	32x5		x 14
62			x 48
№9			
63			0.58 m x 4

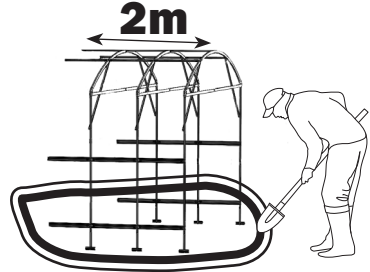

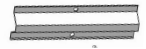


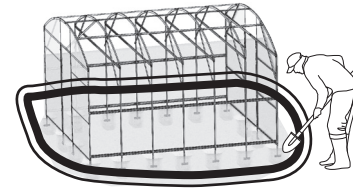
№10*				
1	1		0.33	14
2	1-2		0.26	4
3	3		0.2	18

				
№1 (2 m)				
1	2		0.65 m	x 21
2	14		1.5 m	x 6
№2 (2 m)				
3	4		2.1m	x 3
4	4-1		2.1 m	x 3
№3 (2 m)				
5	10		1.89 m	x 6
6	5		2.04 m	x 3
7	5-1		2.04 m	x 3
№4 (2 m)				
8	-		0.7 m	x 6
№5 (2 m)				
9	-			x 21
10	-			x 21
11	-			x 12
12	-			x 1
13	-	M4x12		x 66
14	-	M5x30		x 42
15	-	M5x50		x 18
16	-	M5x60		x 6
17	-	4.8x19		x 81

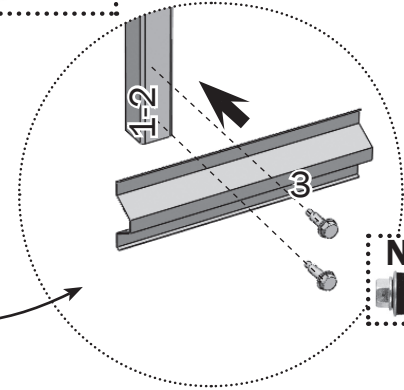
18	M4			x 66
19	M5			x 66
20	32x5			x 6
21	32x4			x 24



				
№6 (2 m)*				
1	1		0.33 m	x 6
2	3		0.2 m	x 6



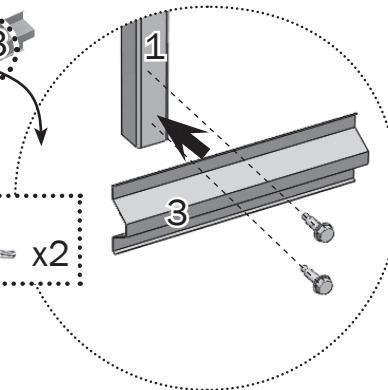
.1** **№10
1-2 x1 **№10***
3 x1



№6
x2

x4

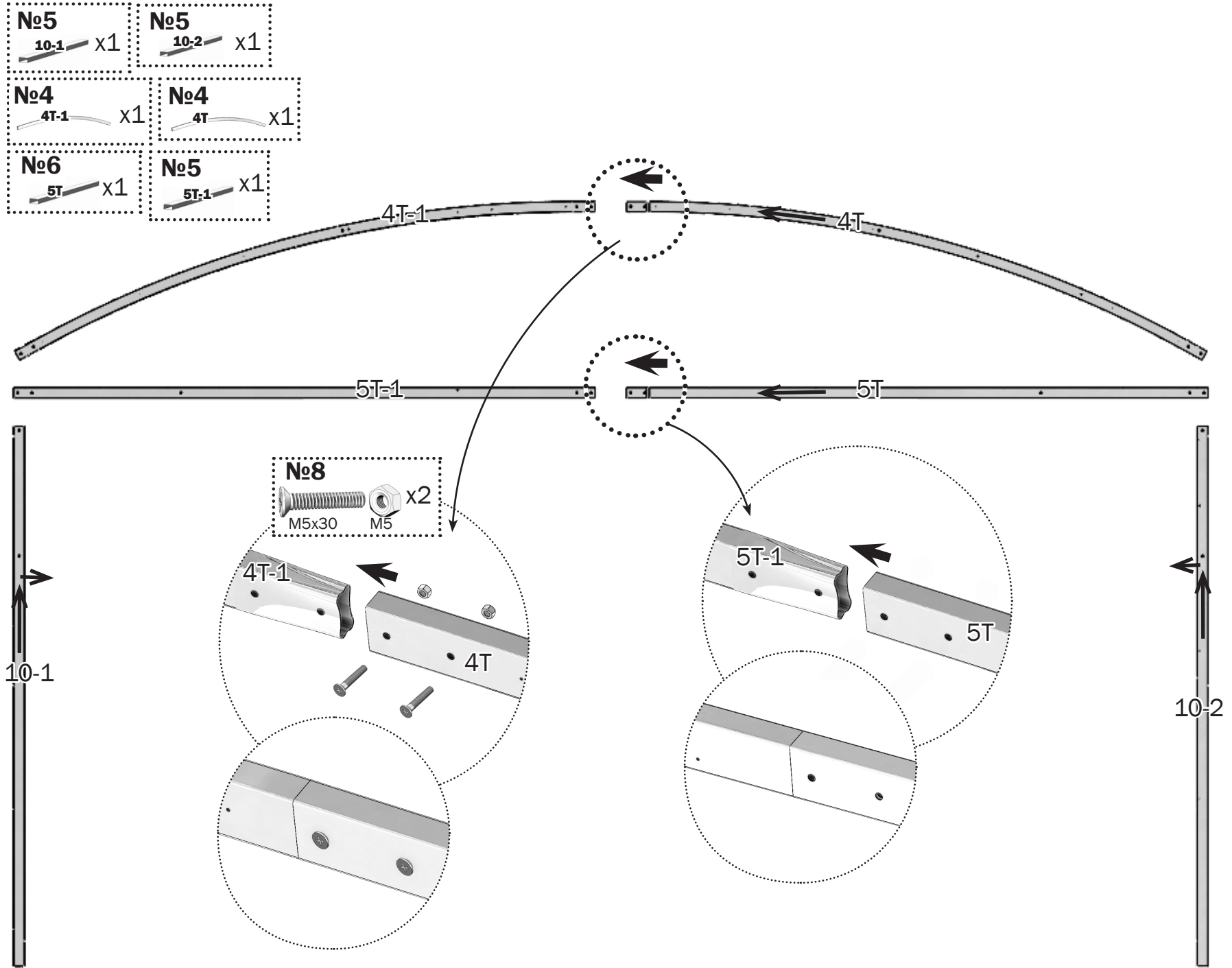
.2** **№10
1 x1 **№10***
3 x1



№8
x2

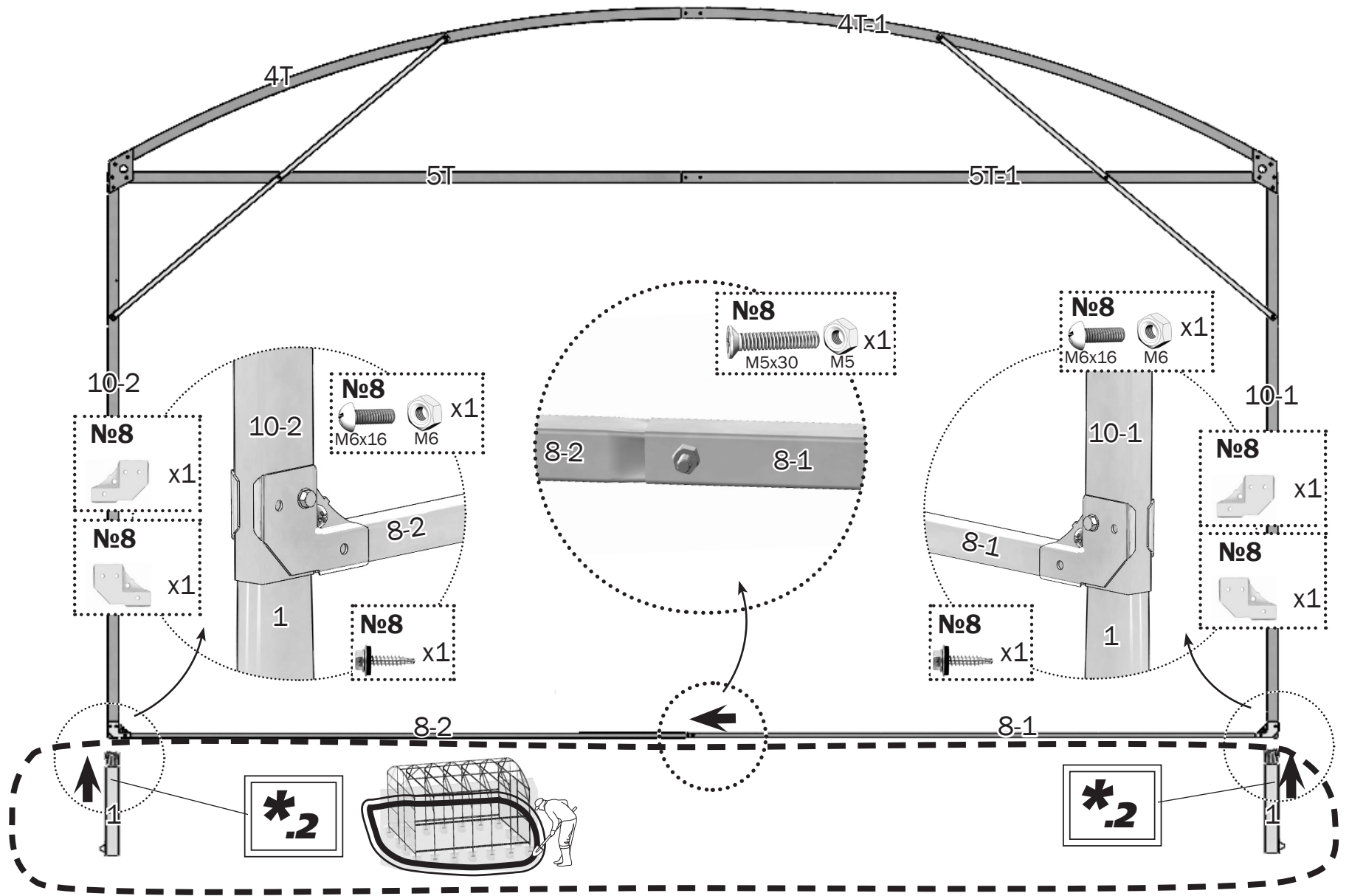
x14

1.1



1.3

- No3 8-1 x1
- No3 8-2 x1



x2

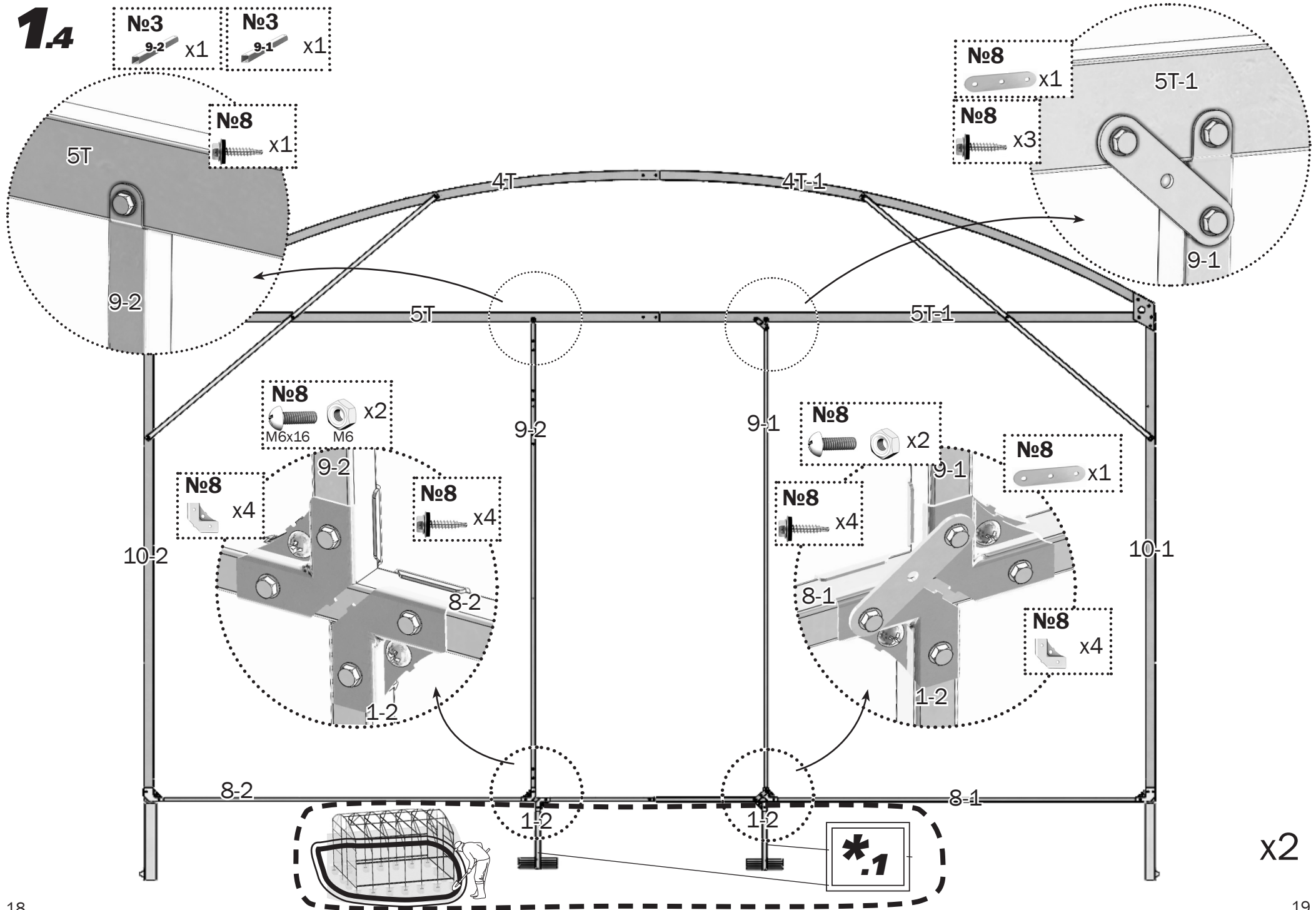
1.4

- No3 9-2 x1
- No3 9-1 x1

- No8 x1

- No8 x3

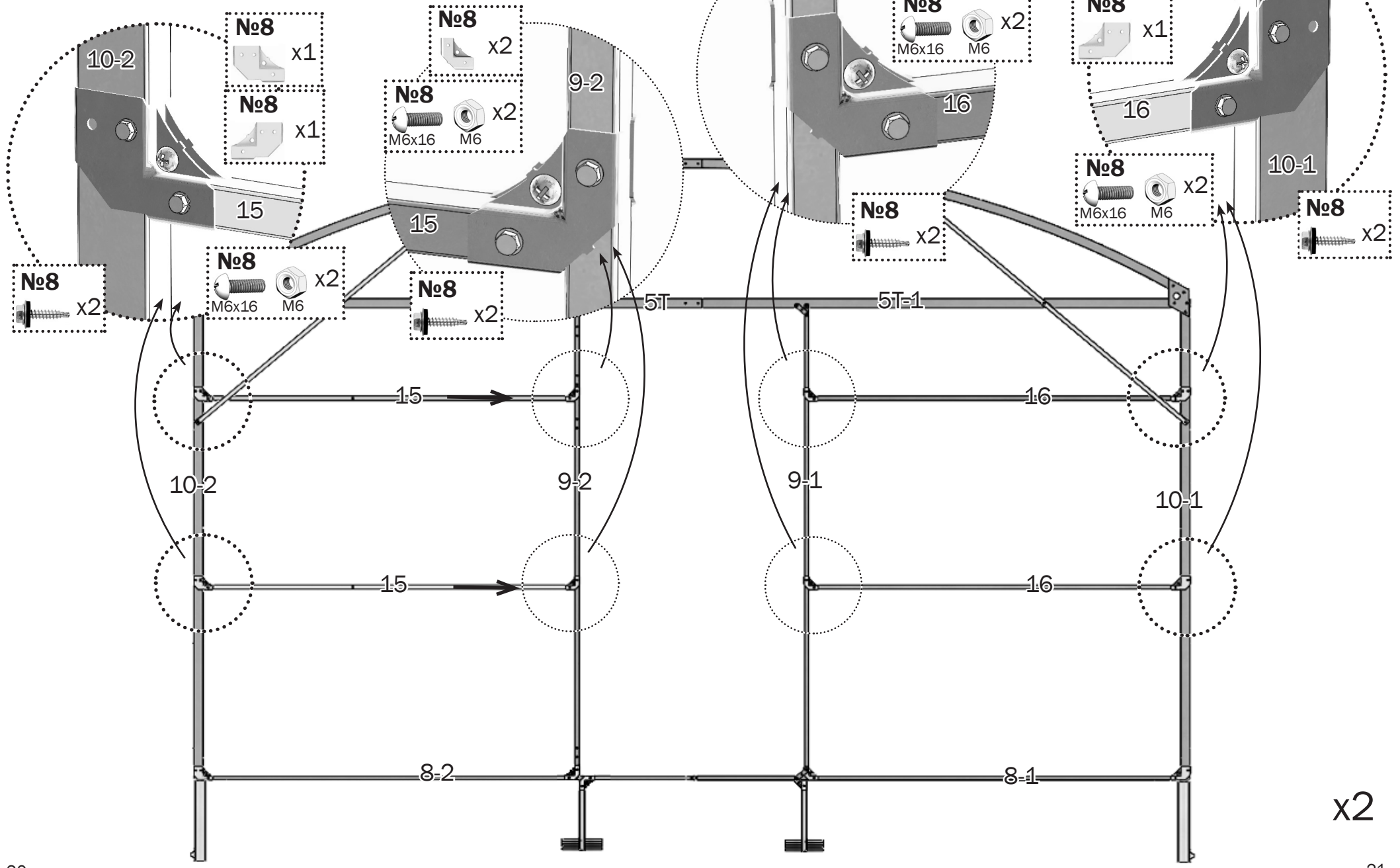
- No8 x1



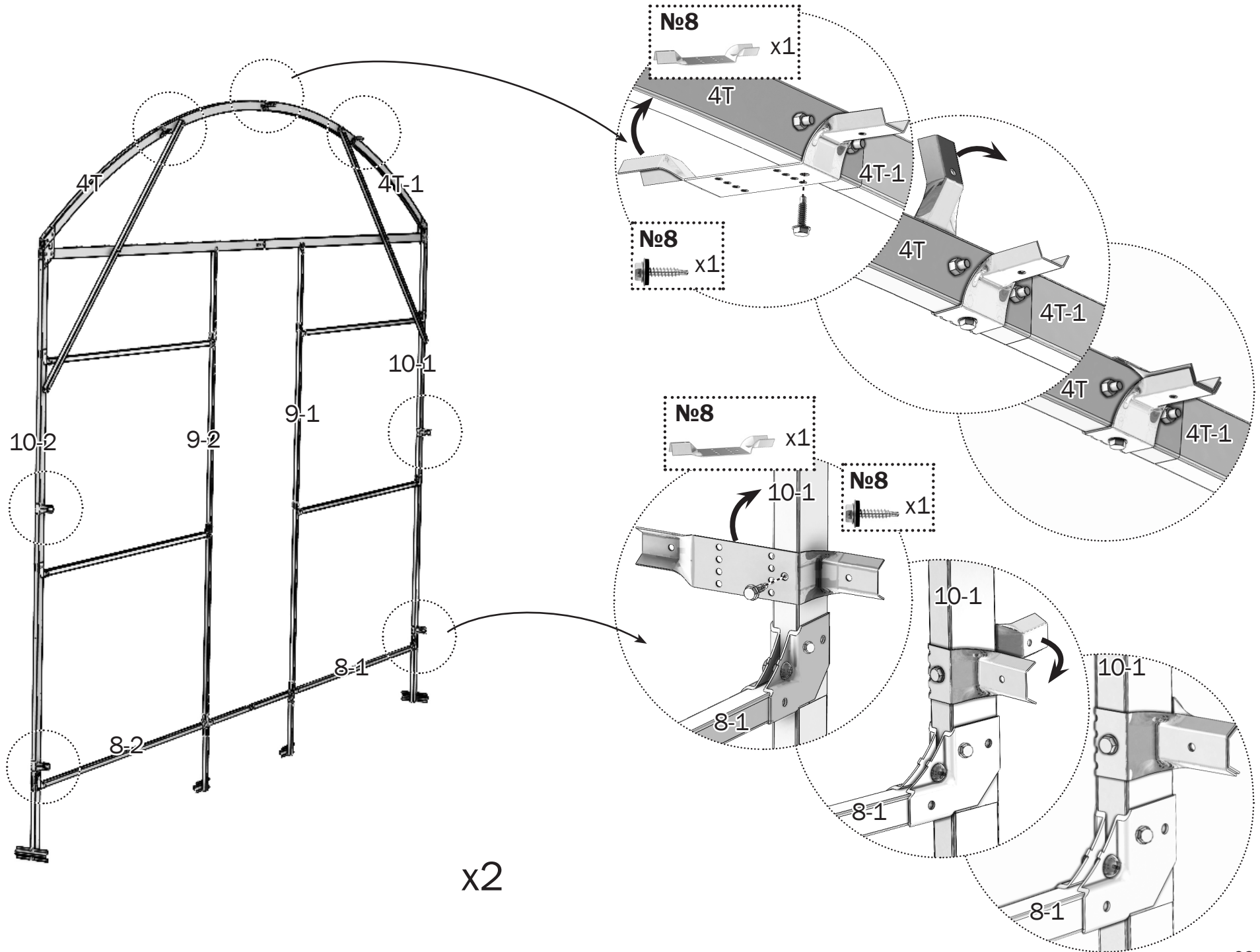
x2

1.5

- No2 15 x2
- No2 16 x2



1.6

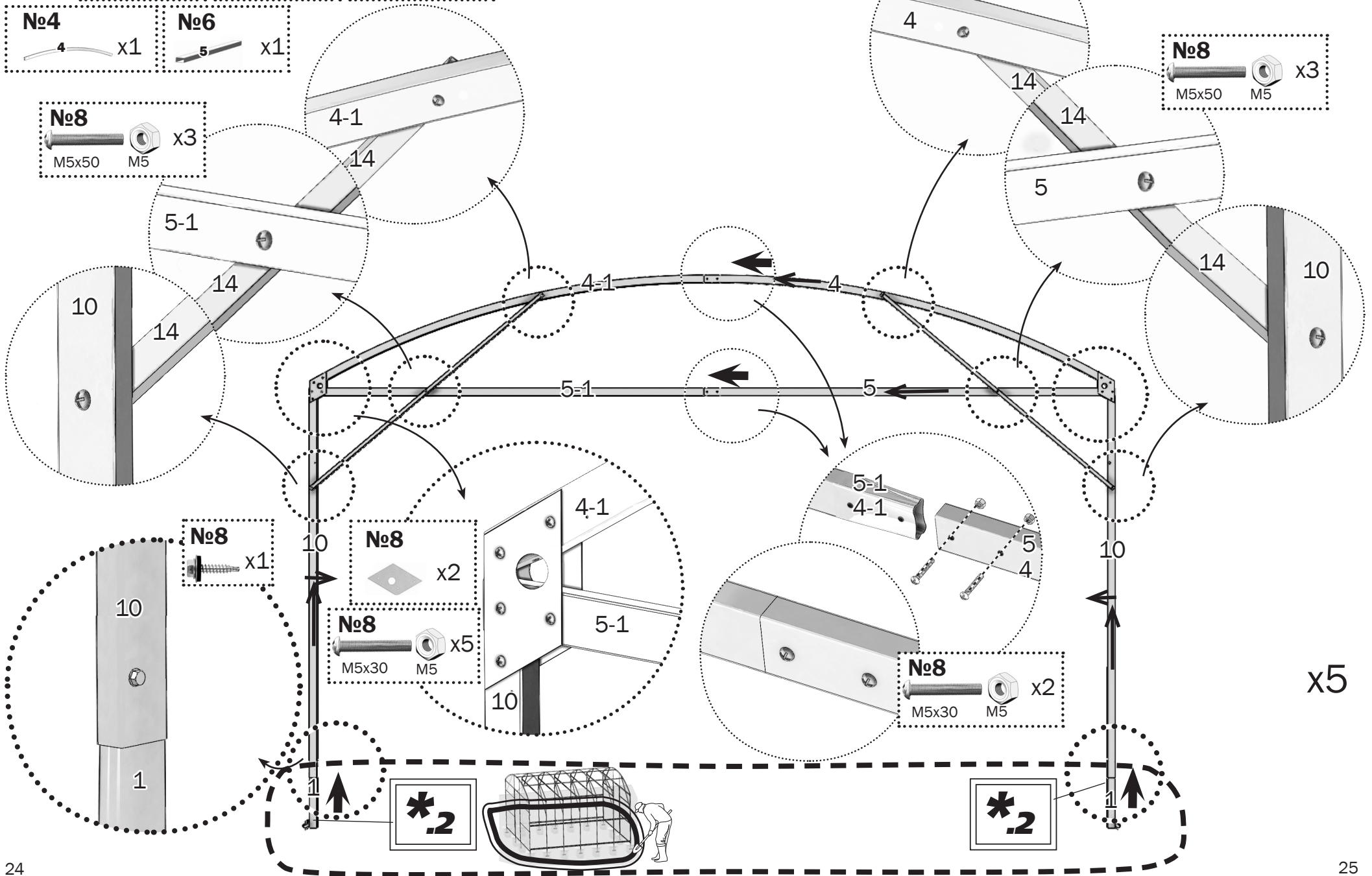


2.1 №8 10 x2 №6 5-1 x1 №4 4-1 x1 №2 14 x1

№4 4 x1 №6 5 x1

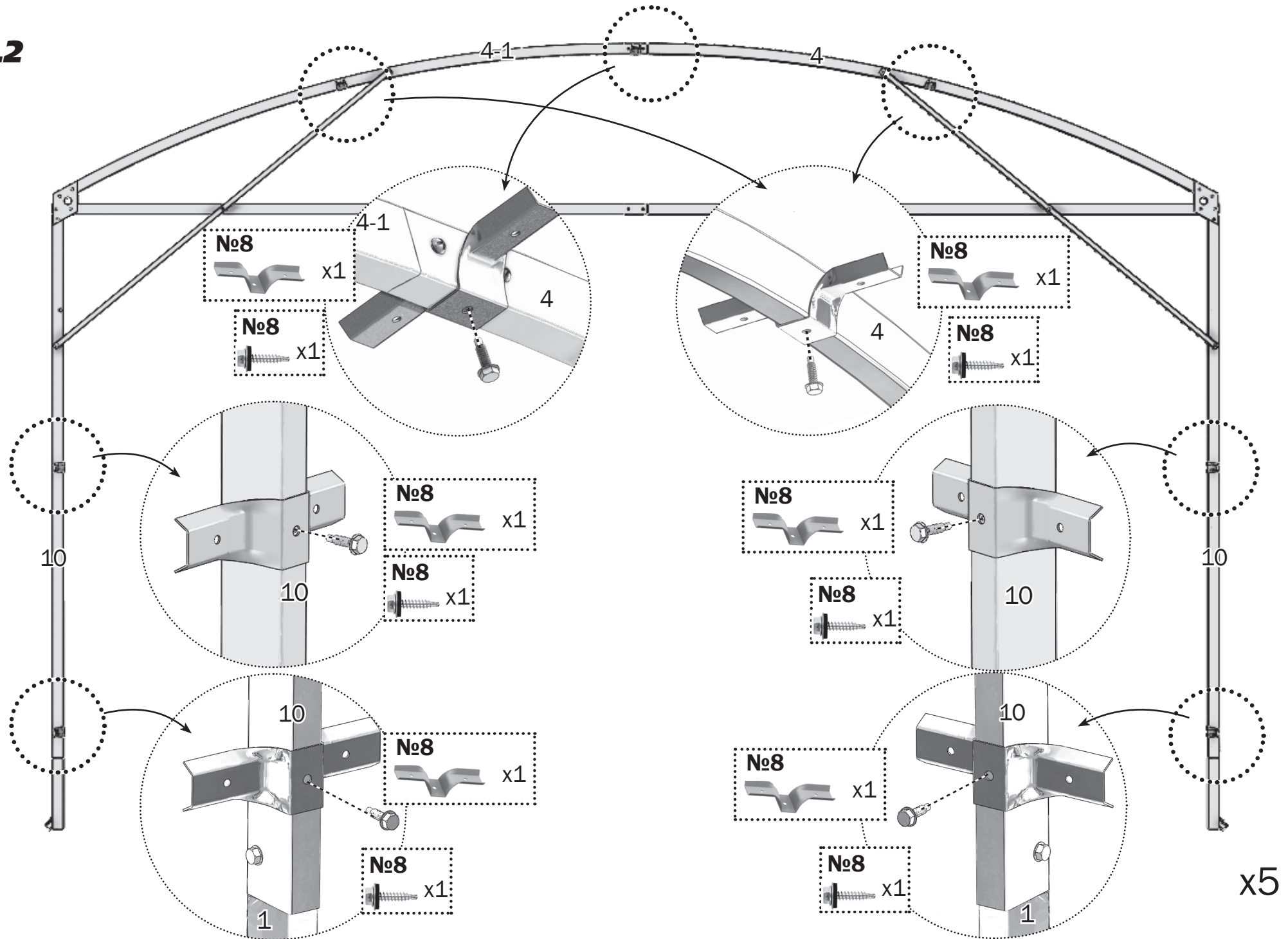
№8 M5x50 M5 x3

№8 M5x50 M5 x3

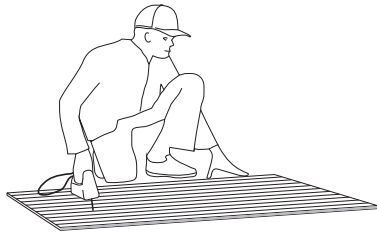


x5

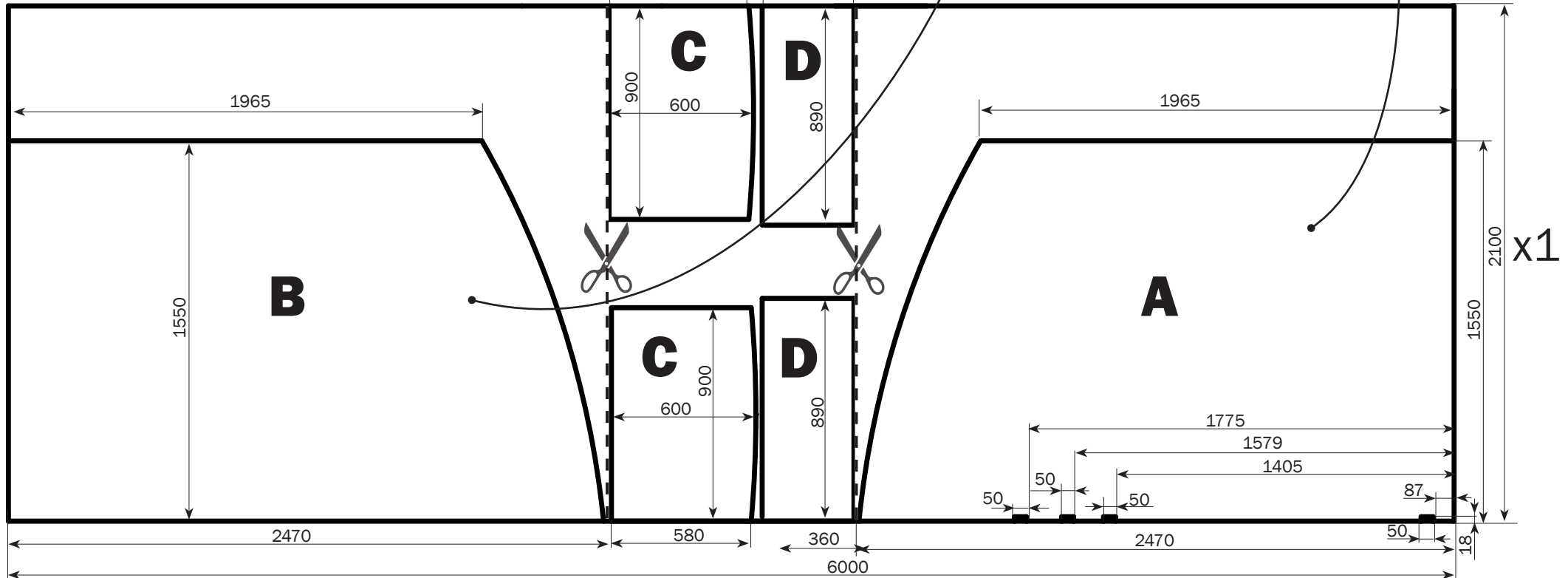
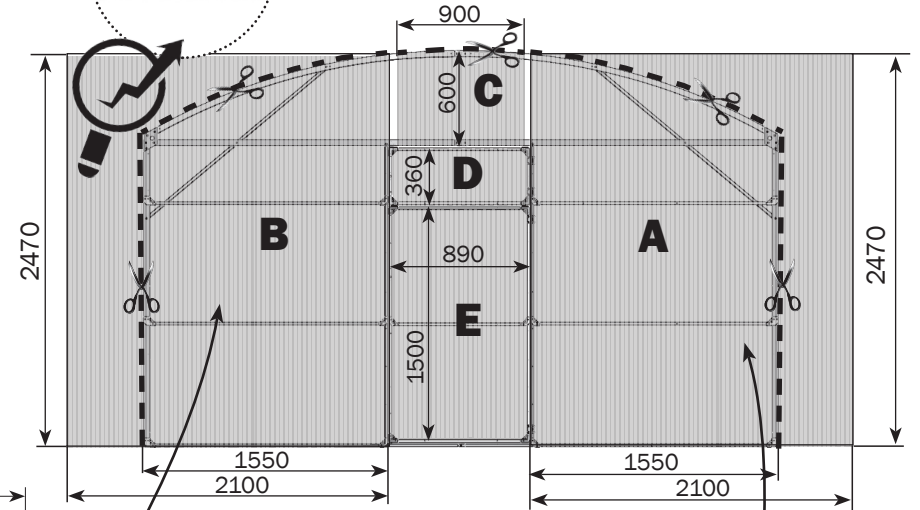
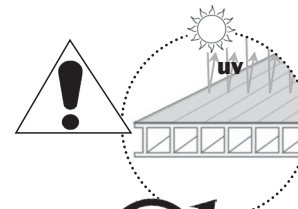
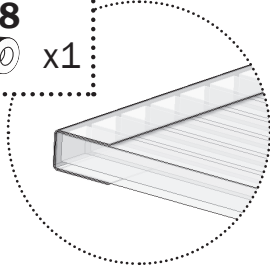
2.2

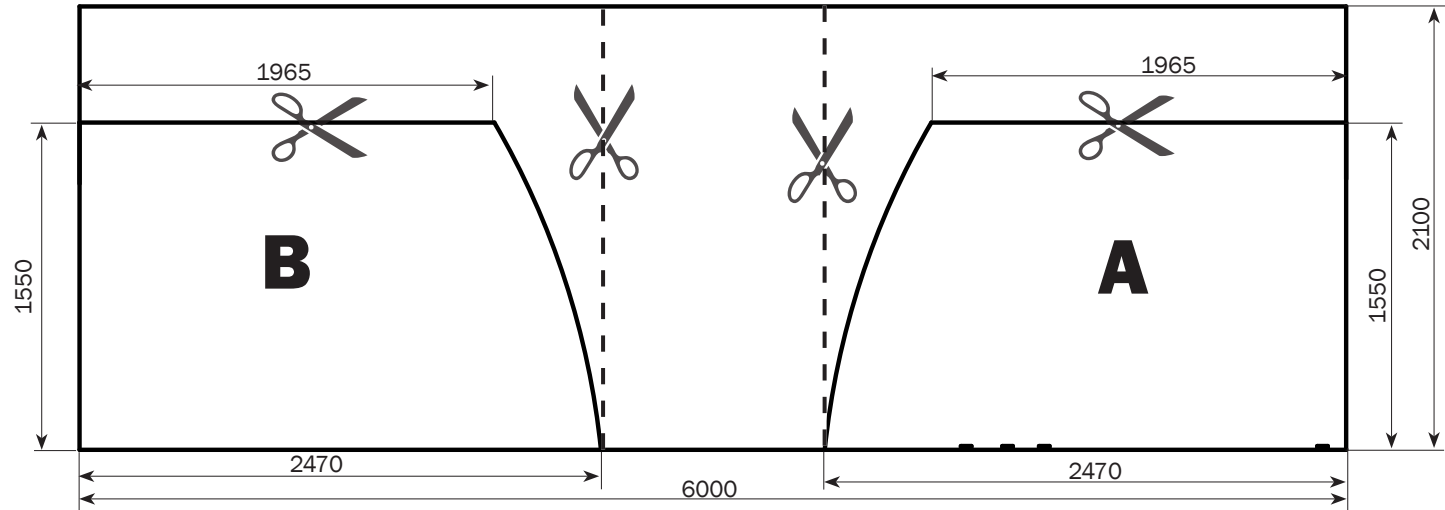


3

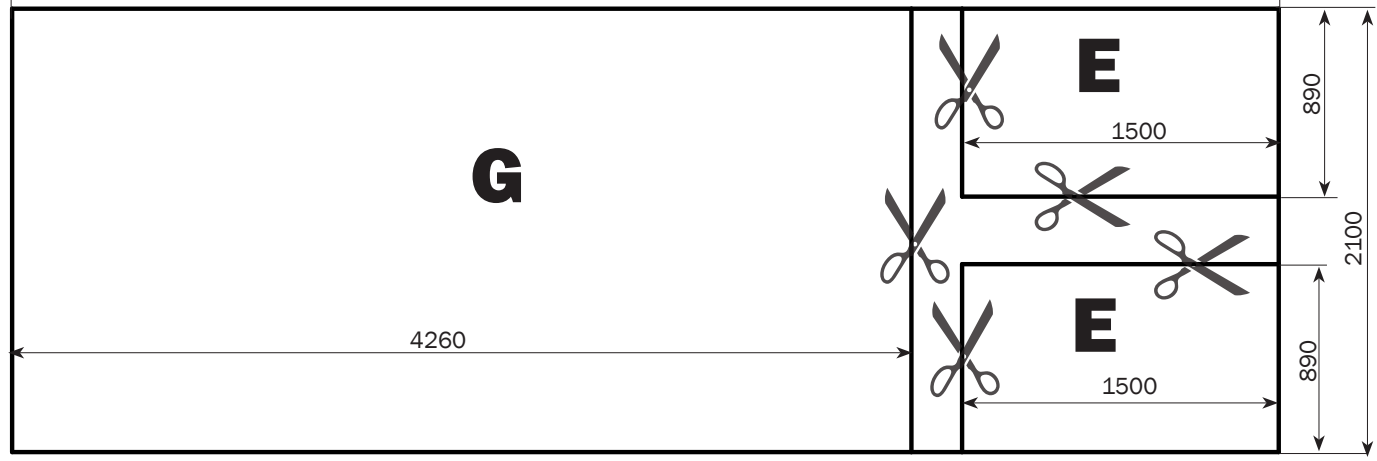


№8
x1

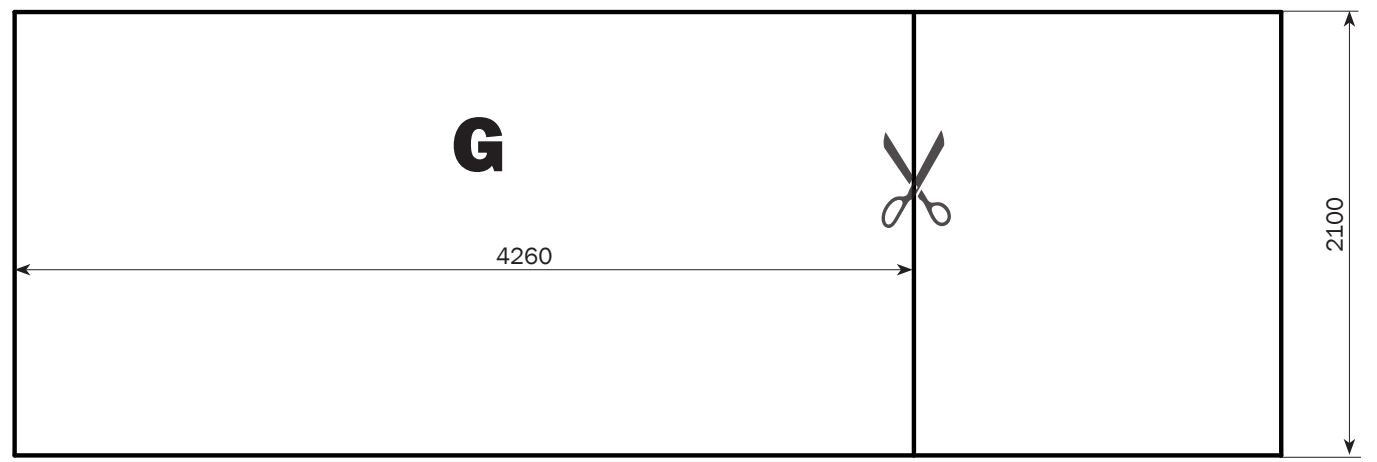




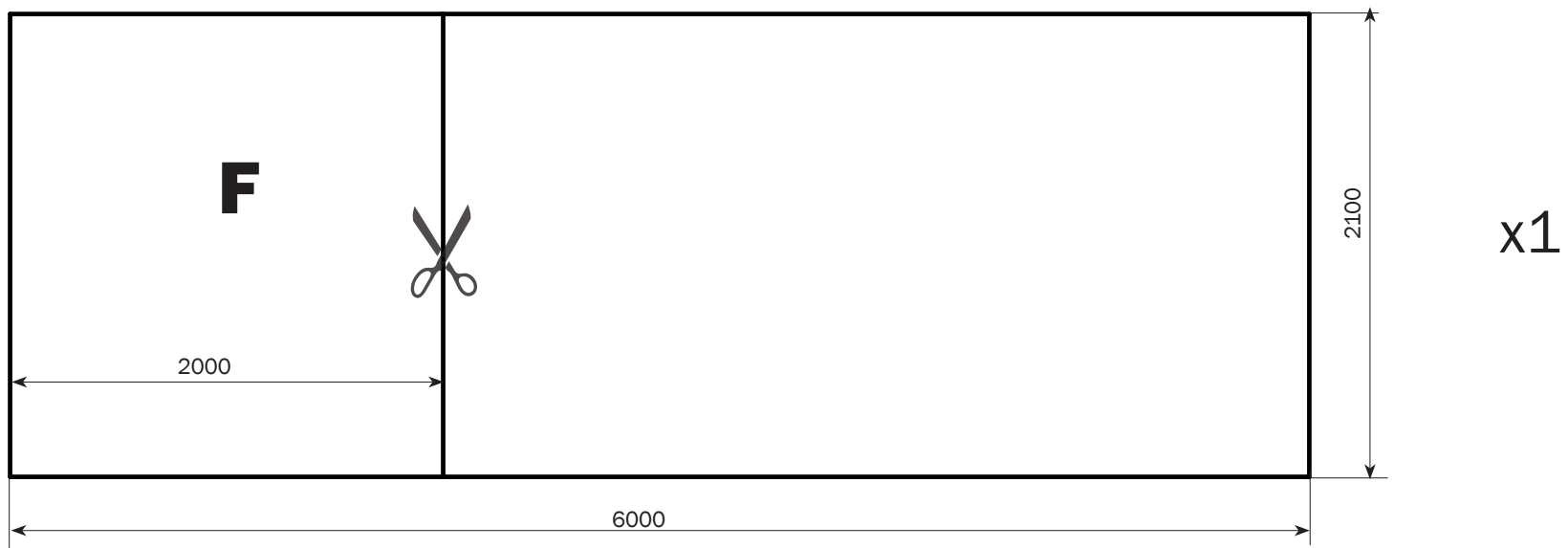
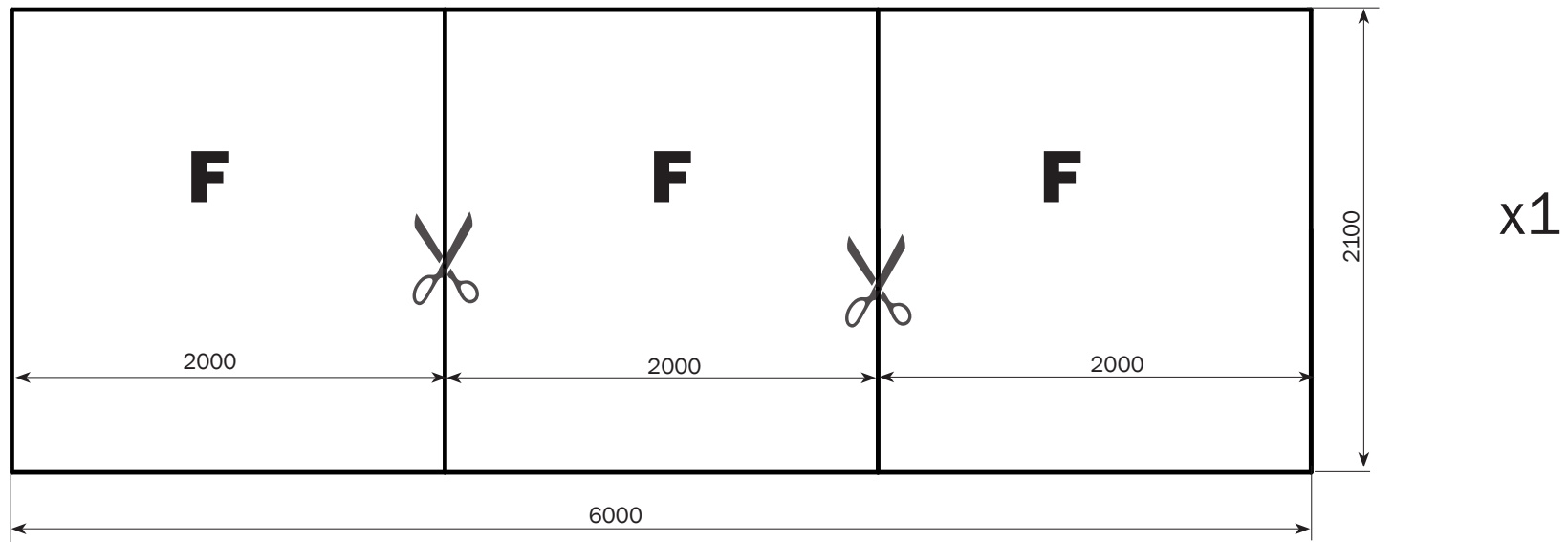
x1



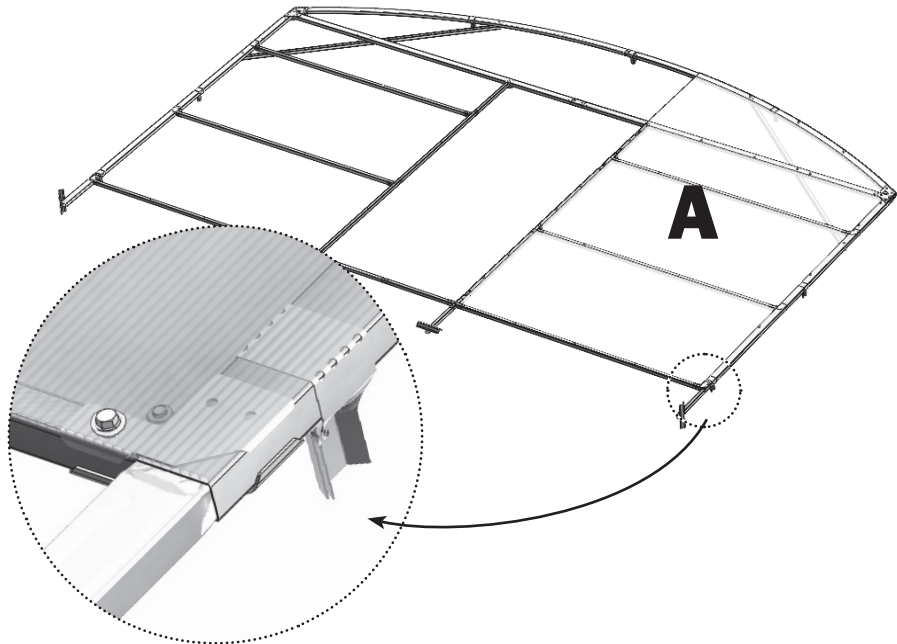
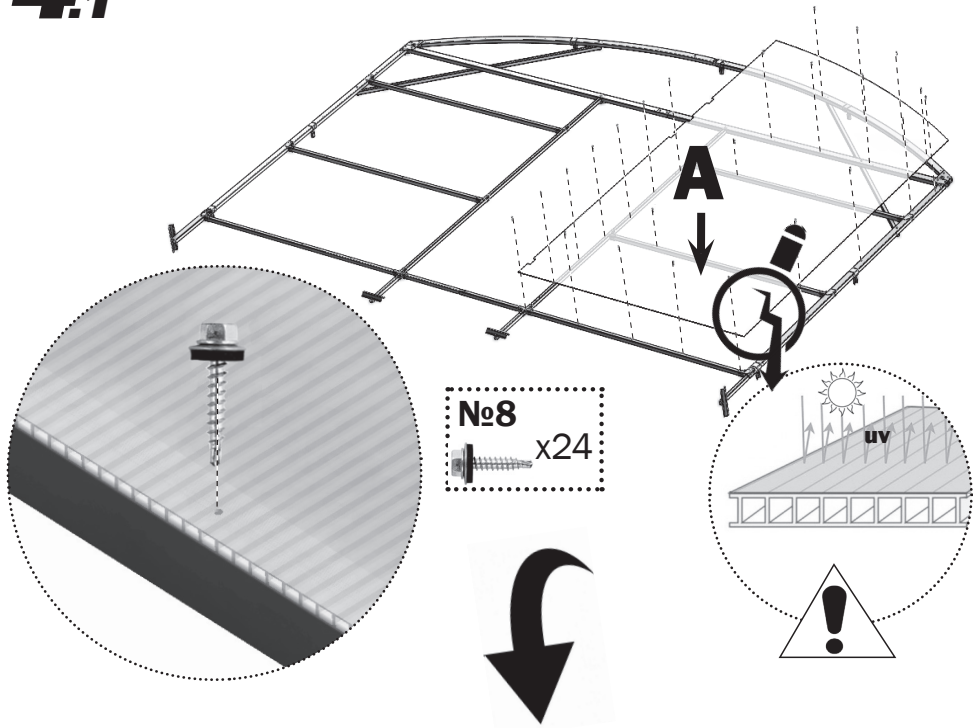
x1



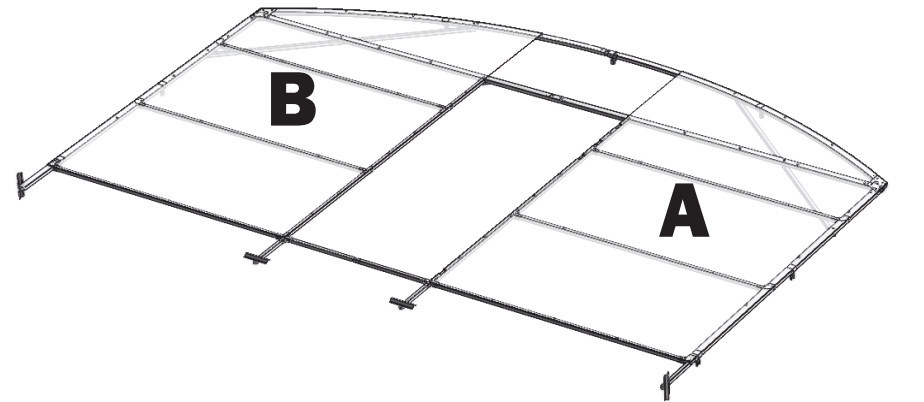
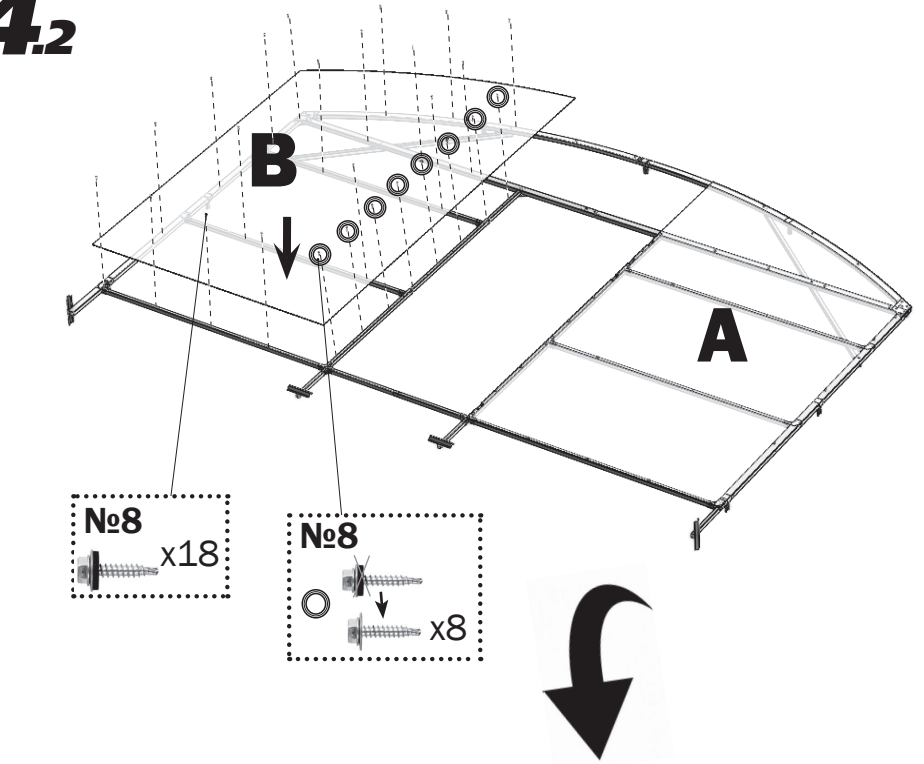
x1



4.1



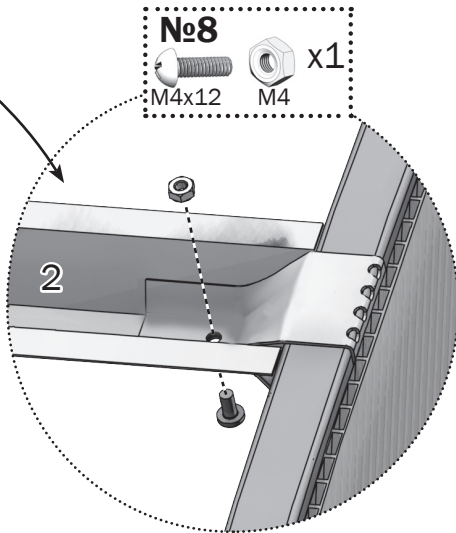
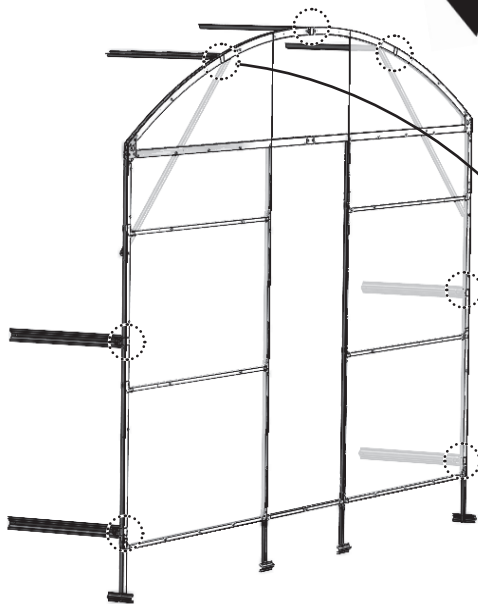
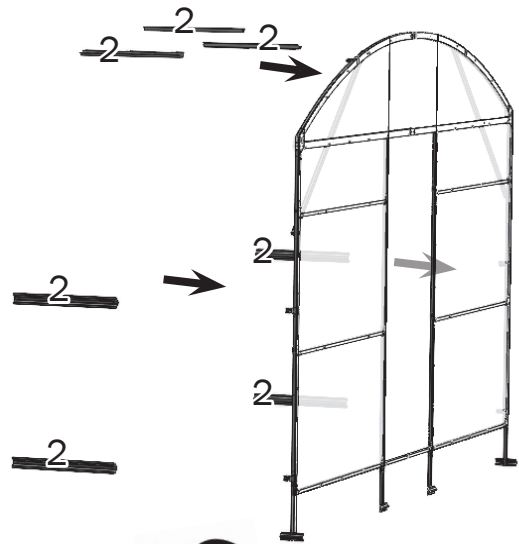
4.2



x2

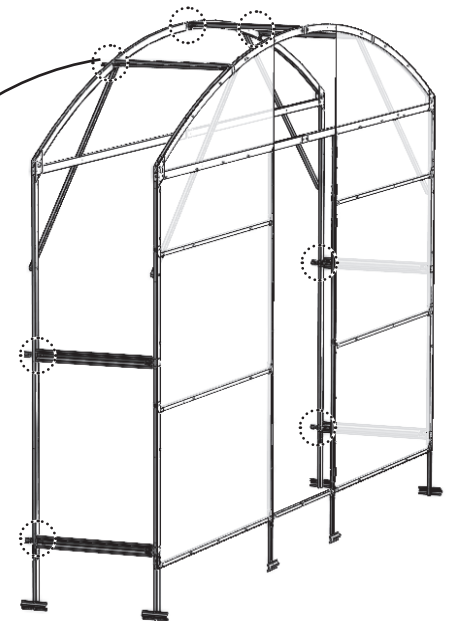
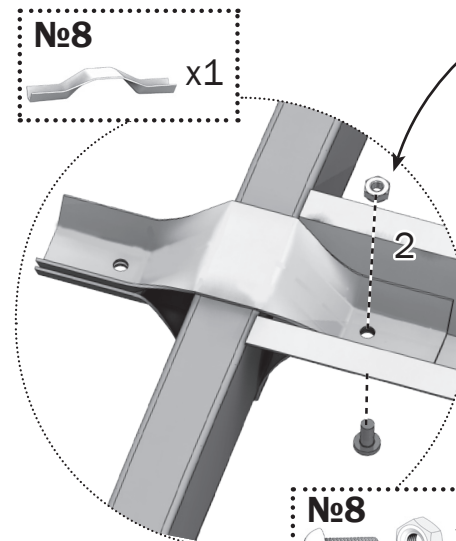
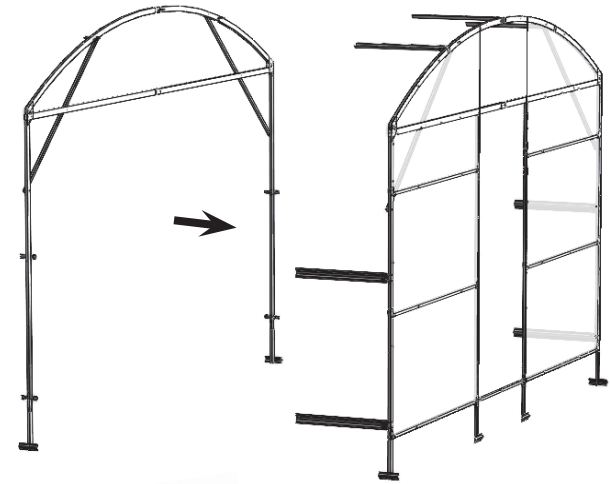
5.1

№1
2 x7



5.2

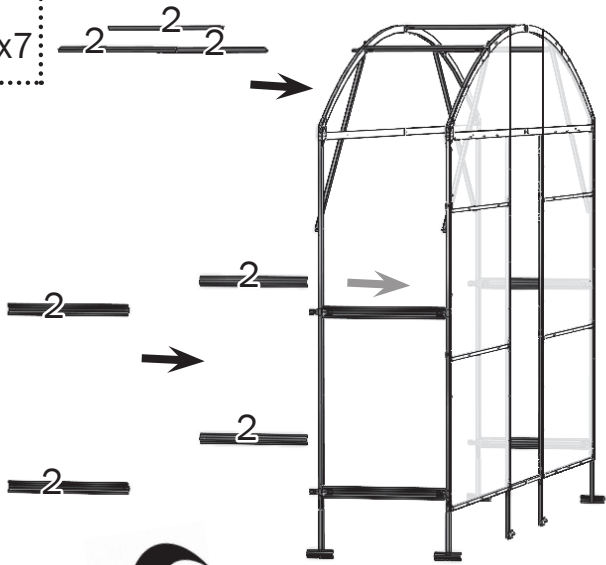
№8
x7



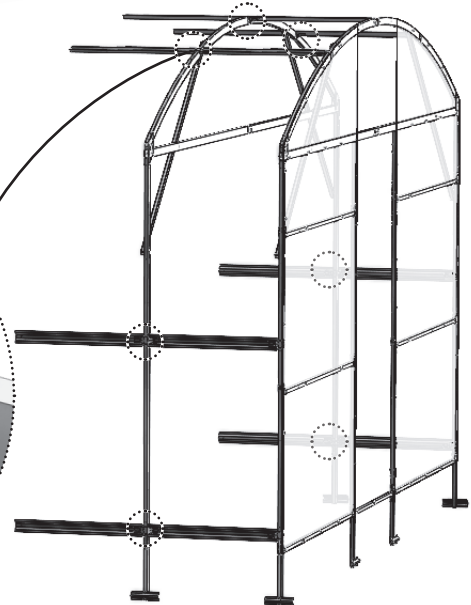
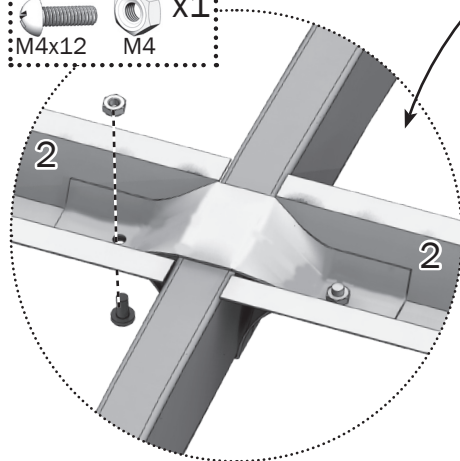
№8
M4x12 M4 x1

5.3

No1
2 x7



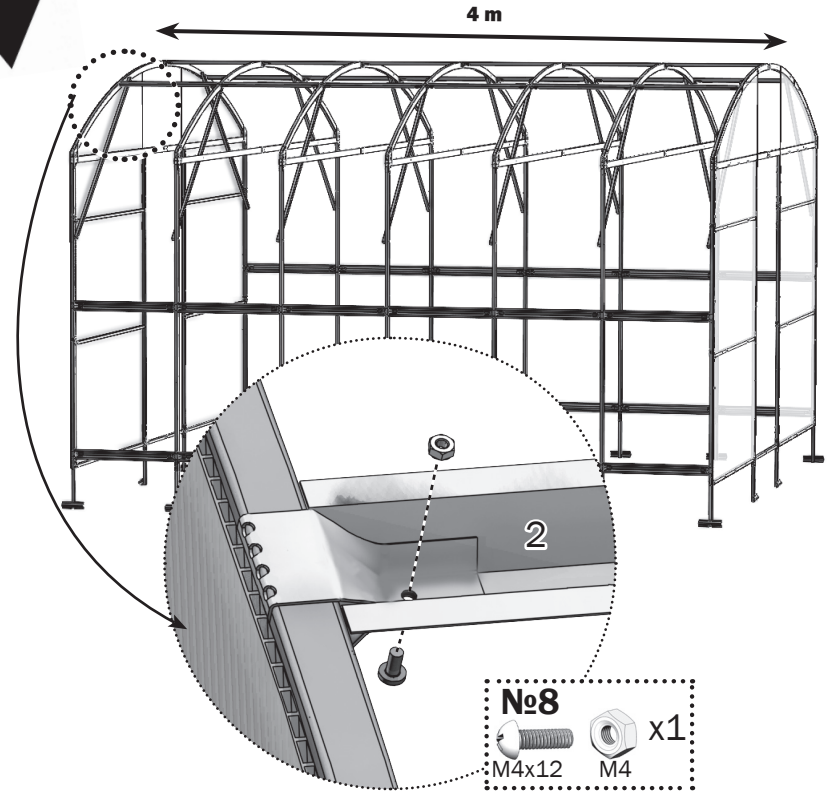
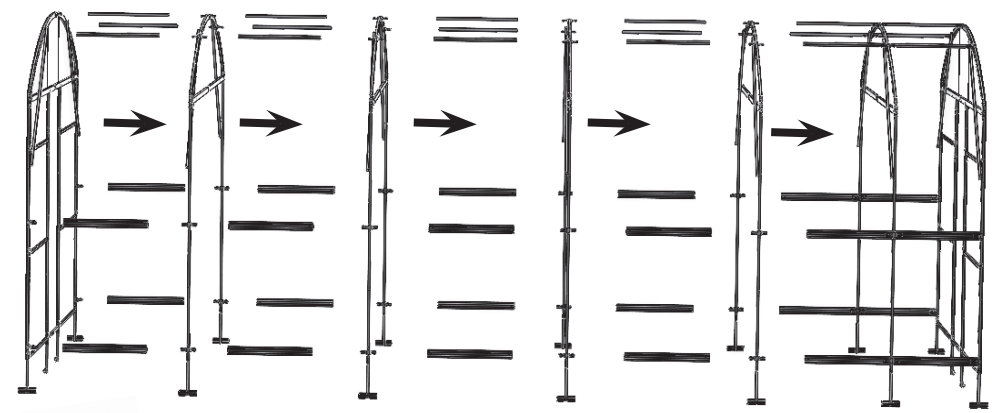
No8
M4x12 x1
M4



5.4

No1
2 x28

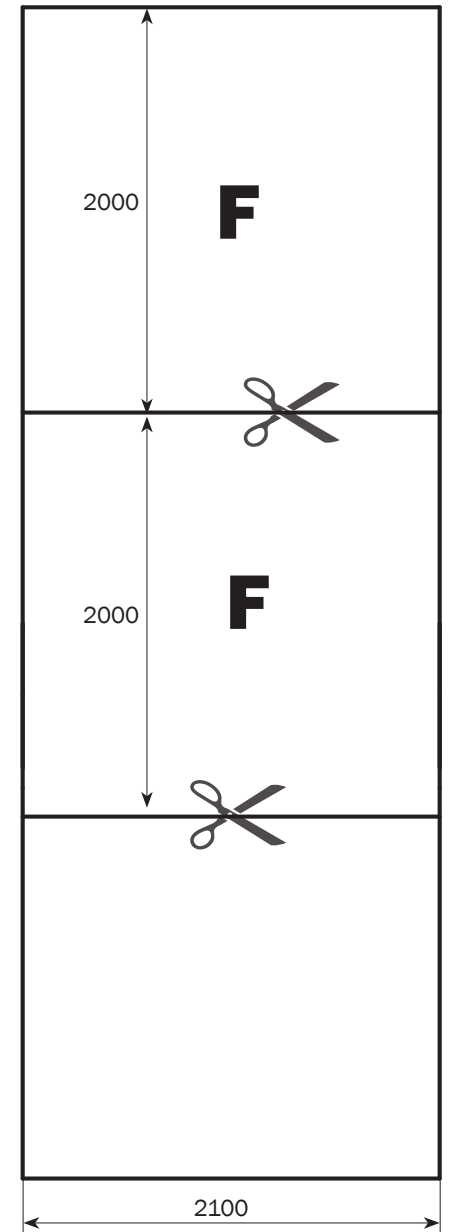
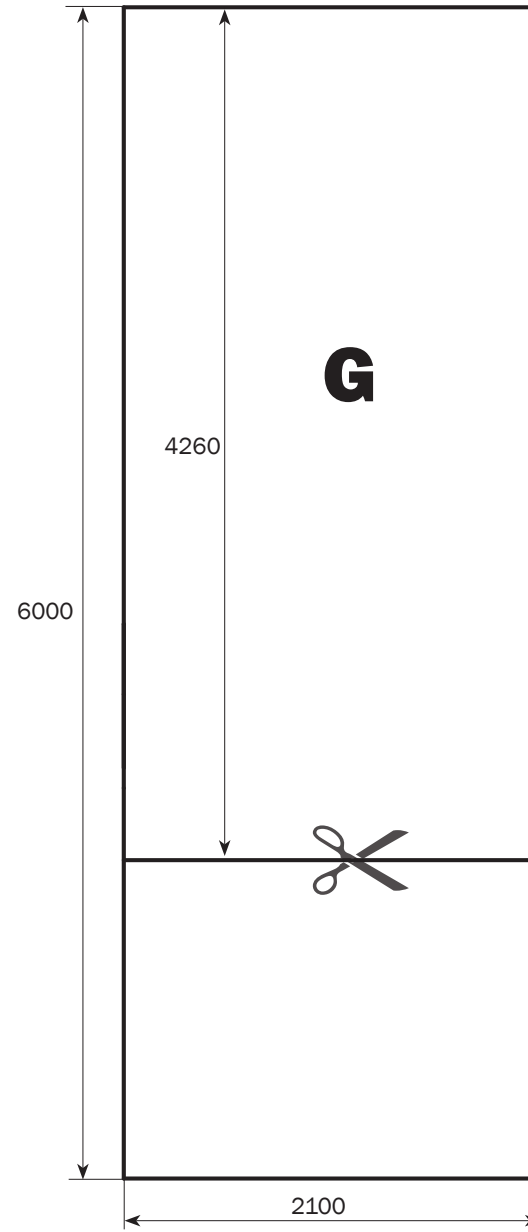
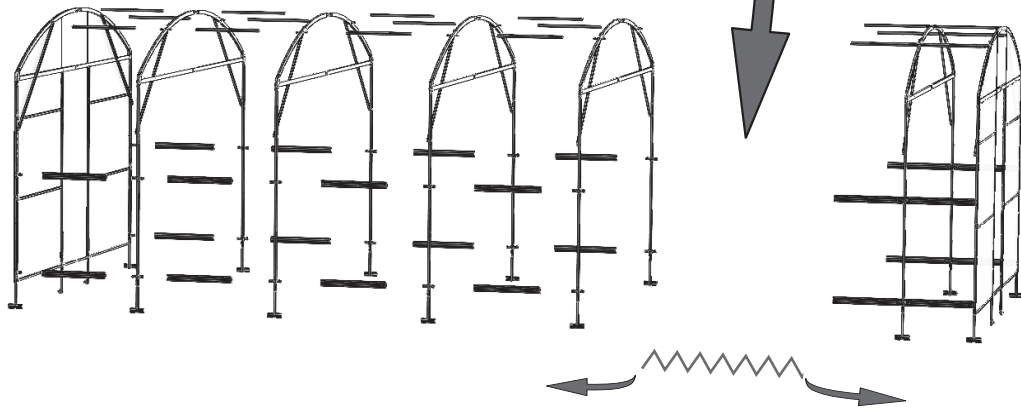
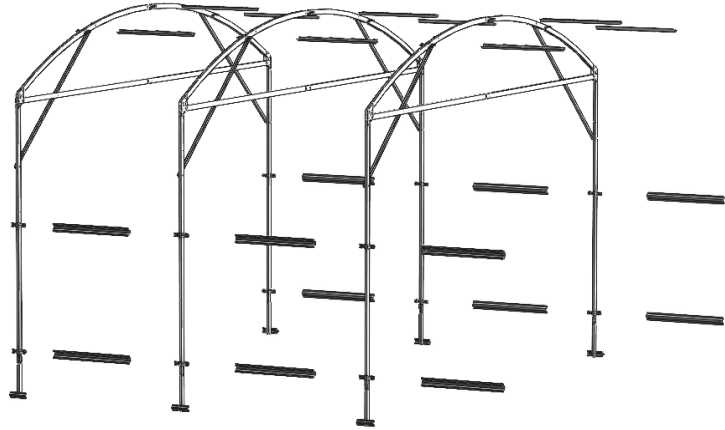
No8
x28



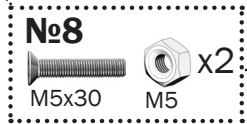
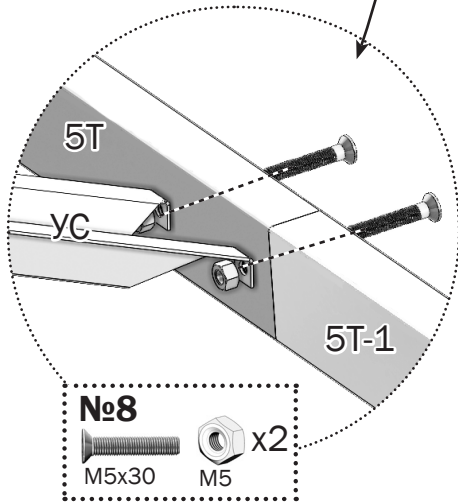
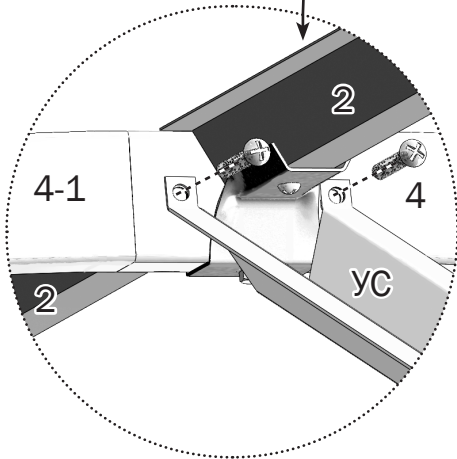
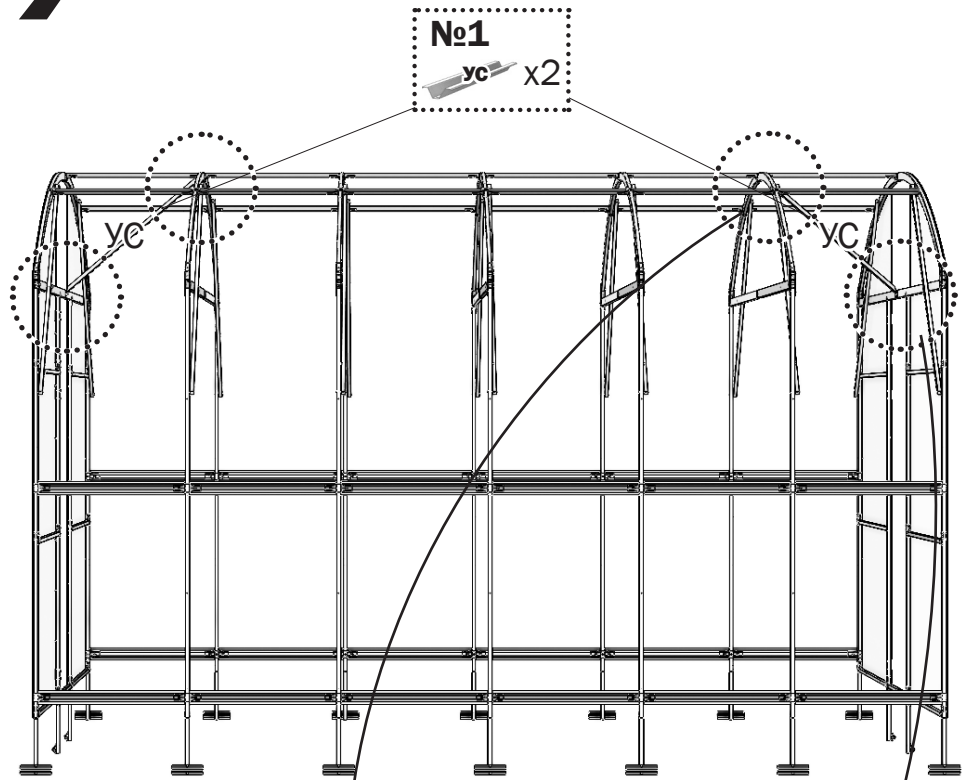
No8
M4x12 x1
M4

6

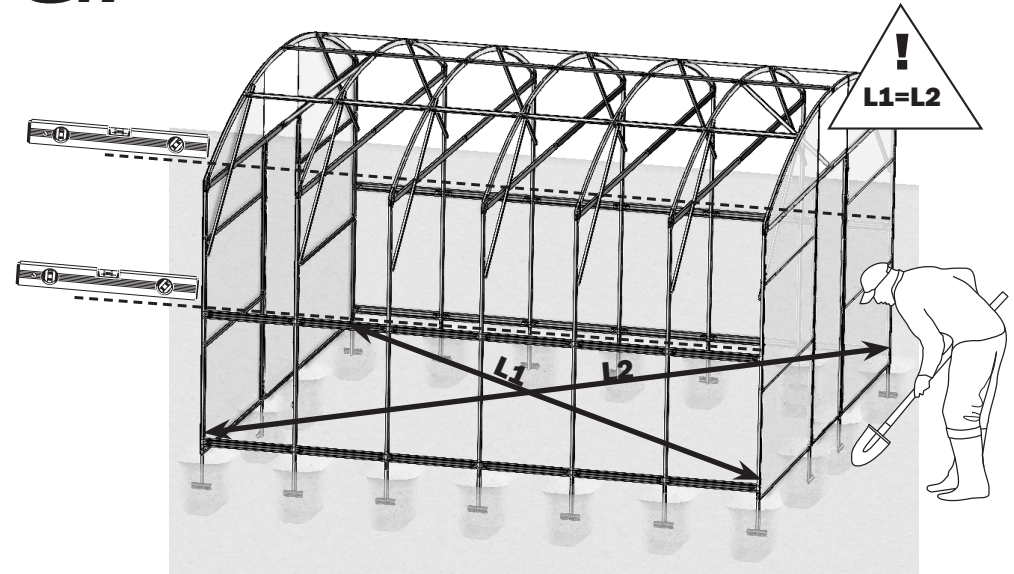
- No1 (2 m) 2 x21
- No3 (2 m) 10 x6
- No3 (2 m) 5-1 x3
- No1 (2 m) 14 x6
- No2 (2 m) 4 x3
- No2 (2 m) 4-1 x3
- No3 (2 m) 5 x3



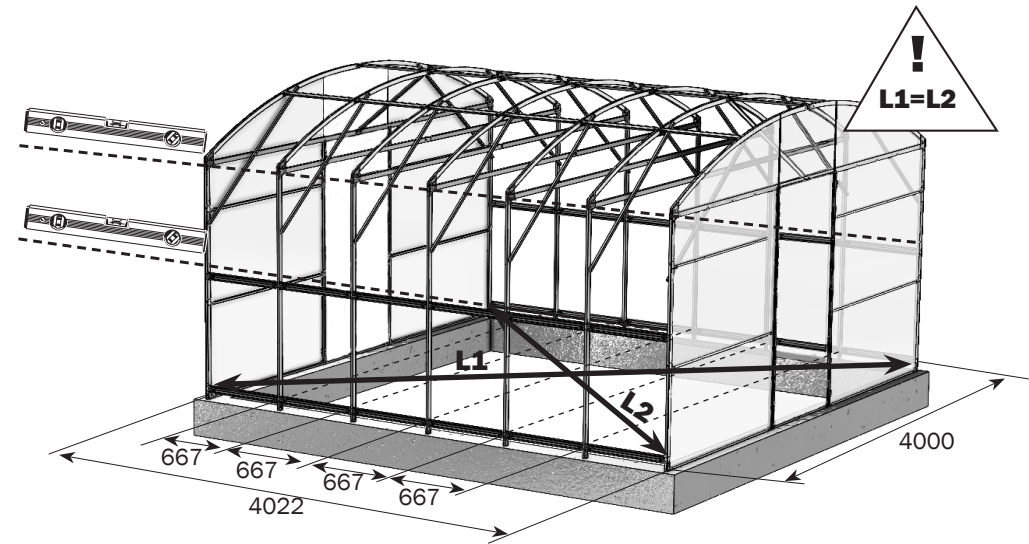
7



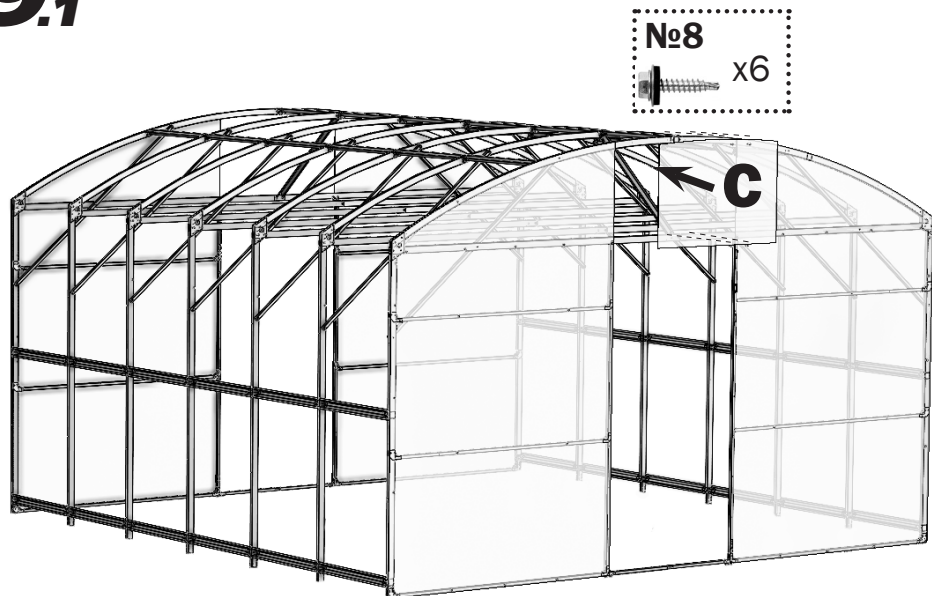
8.1



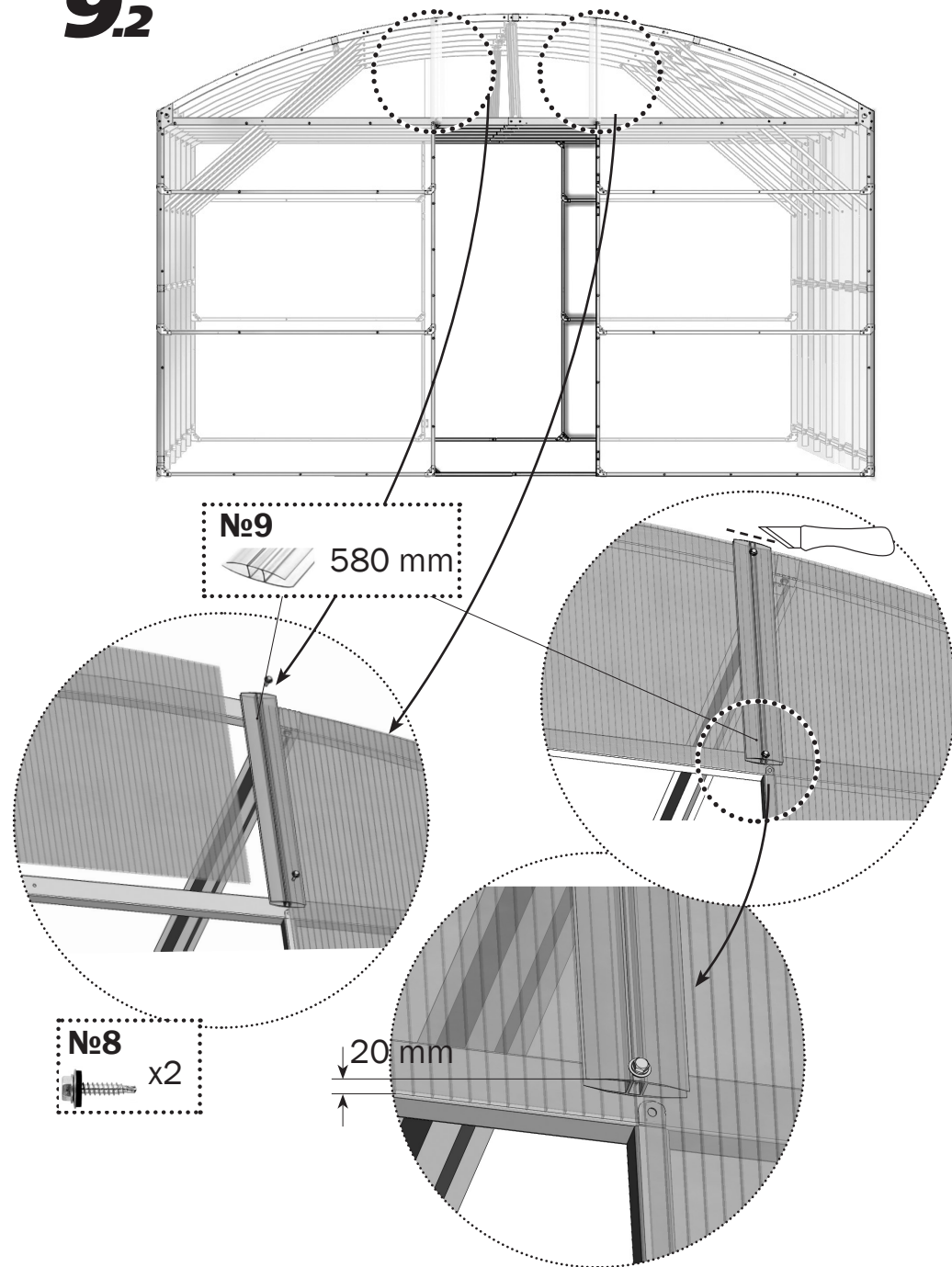
8.2



9.1

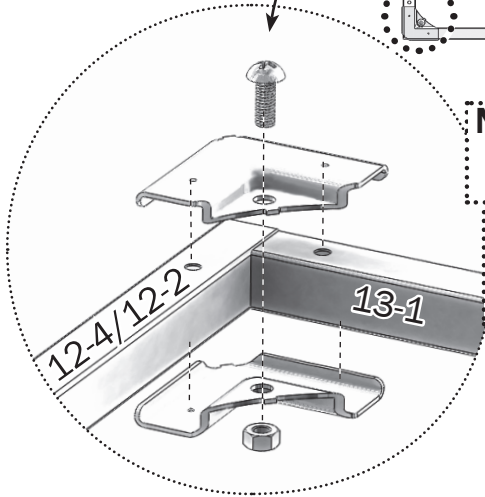
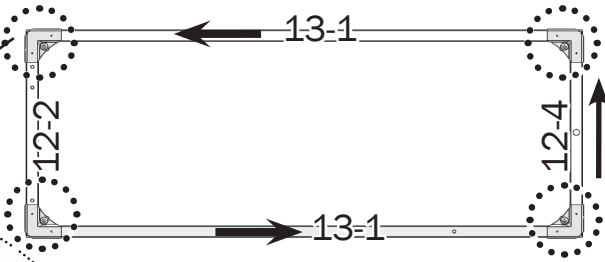


9.2



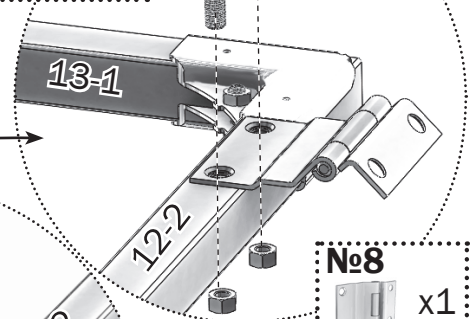
10.1

- №3 12-2 x1
- №3 13-1 x2
- №3 12-4 x1



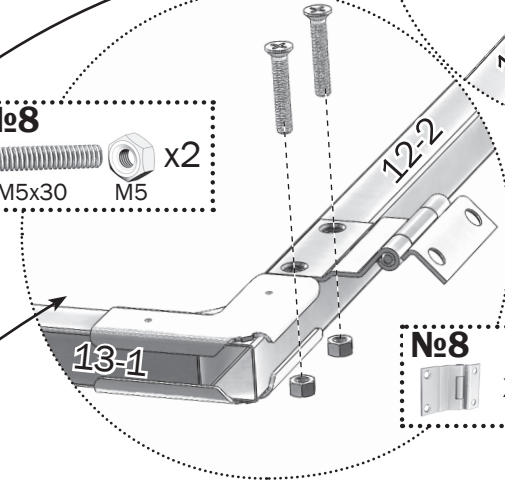
- №8 x2
- №8 M6x16 M6 x1

- №8 M5x30 M5 x2



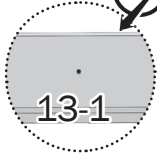
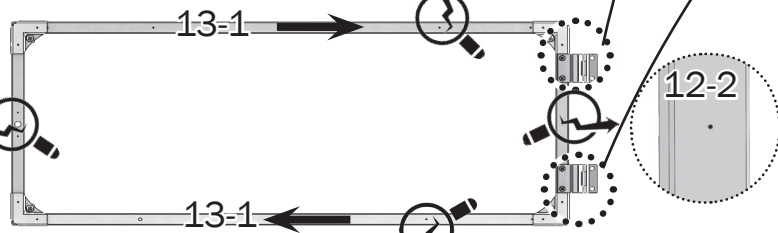
- №8 x1

- №8 M5x30 M5 x2



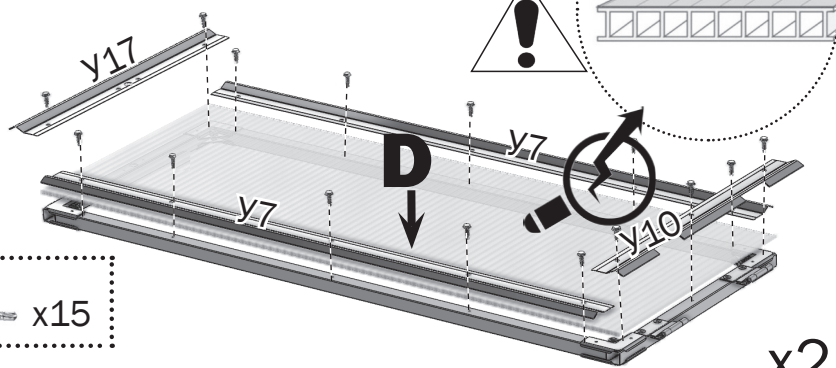
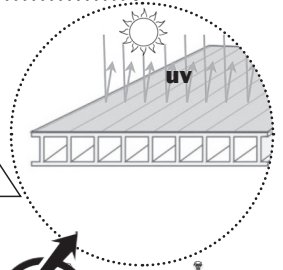
- №8 x1

10.2



10.3

- №7 y7 x2
- №7 y10 x1
- №7 y17 x1



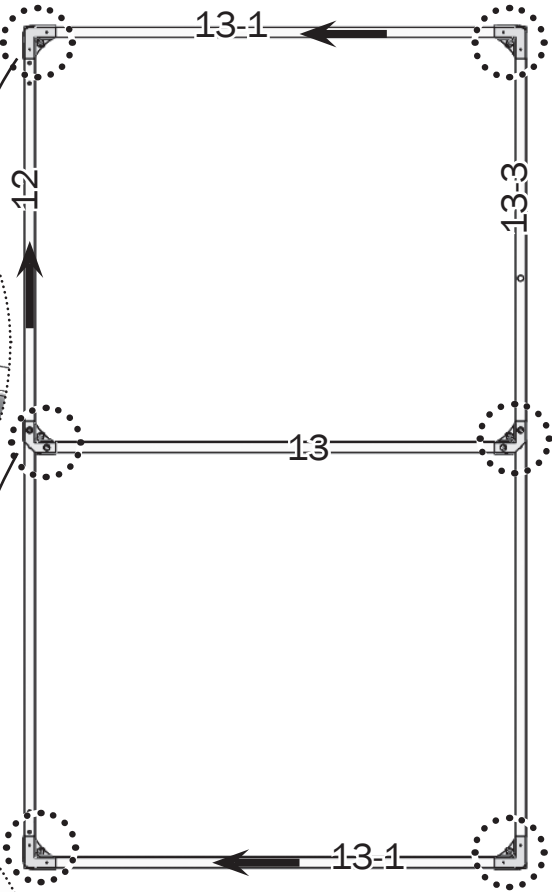
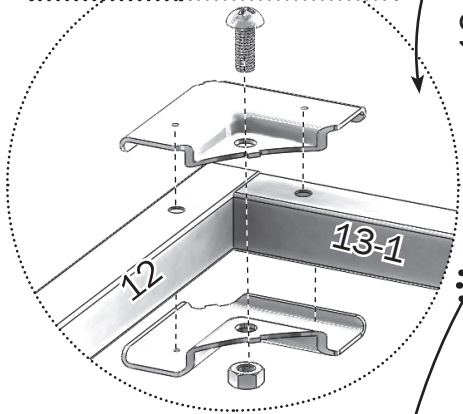
- №8 x15

x2

11.1

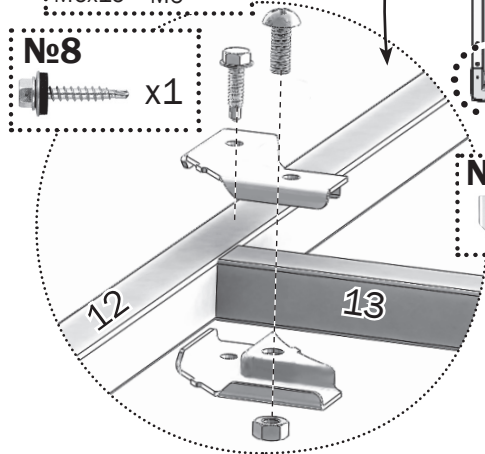
- №3 13-3 x1
- №3 12 x1
- №3 13 x1
- №3 13-1 x2

- №8 x2
- №8 M6x16 M6 x1



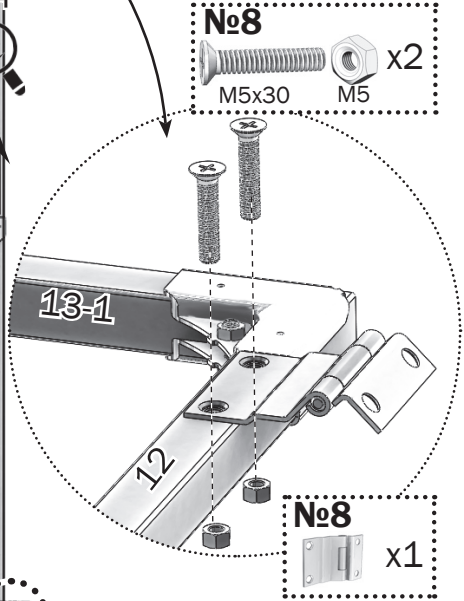
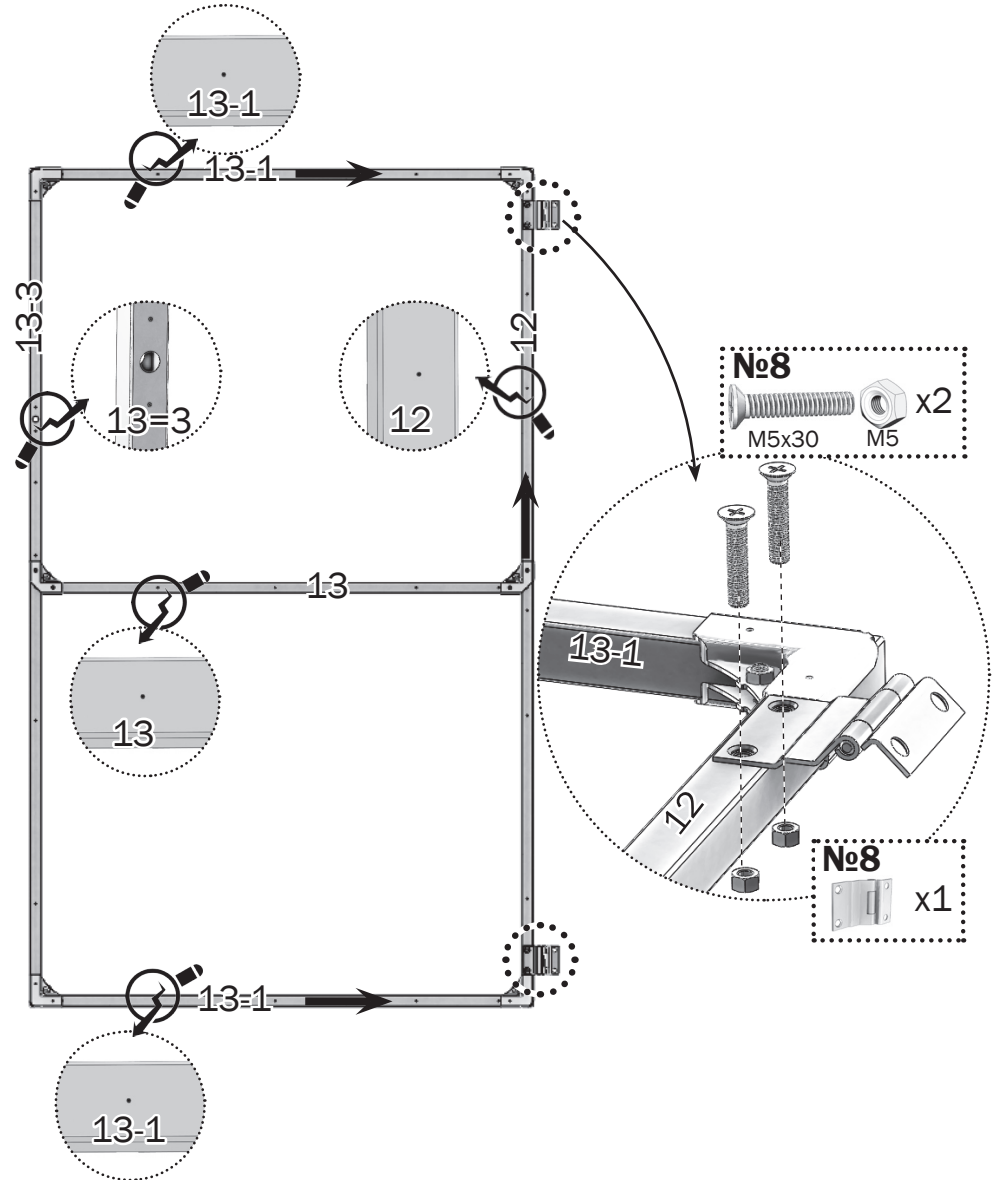
- №8 M6x16 M6 x1

- №8 x1



- №8 x2

11.2



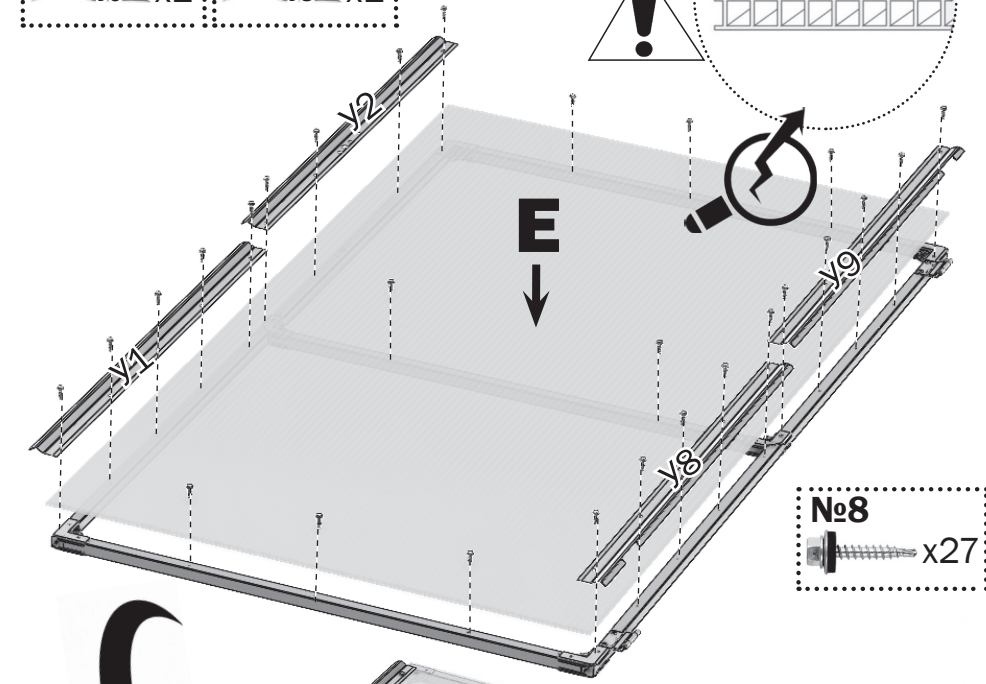
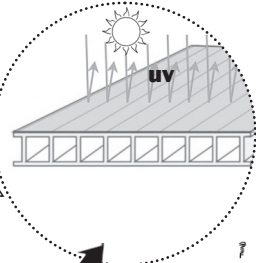
11.3

№7 y1 x1

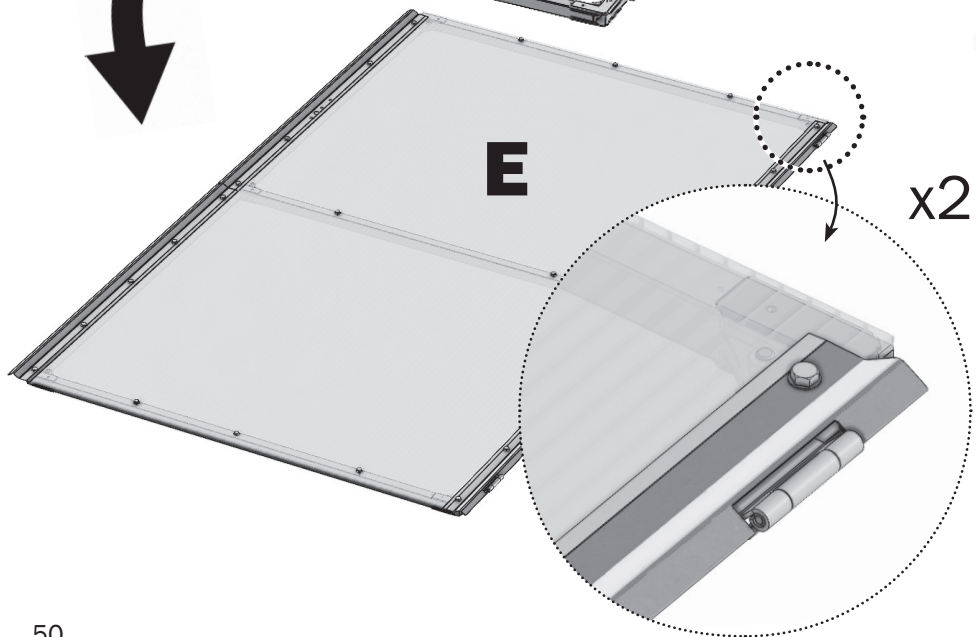
№7 y2 x1

№7 y9 x1

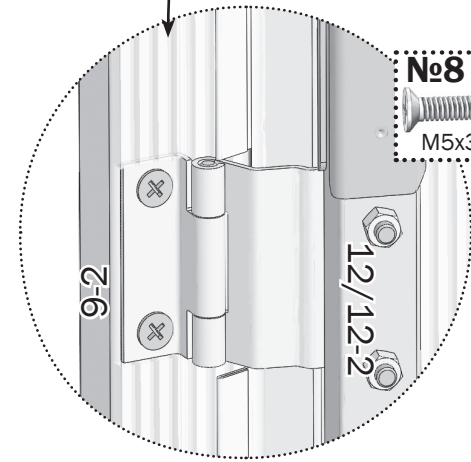
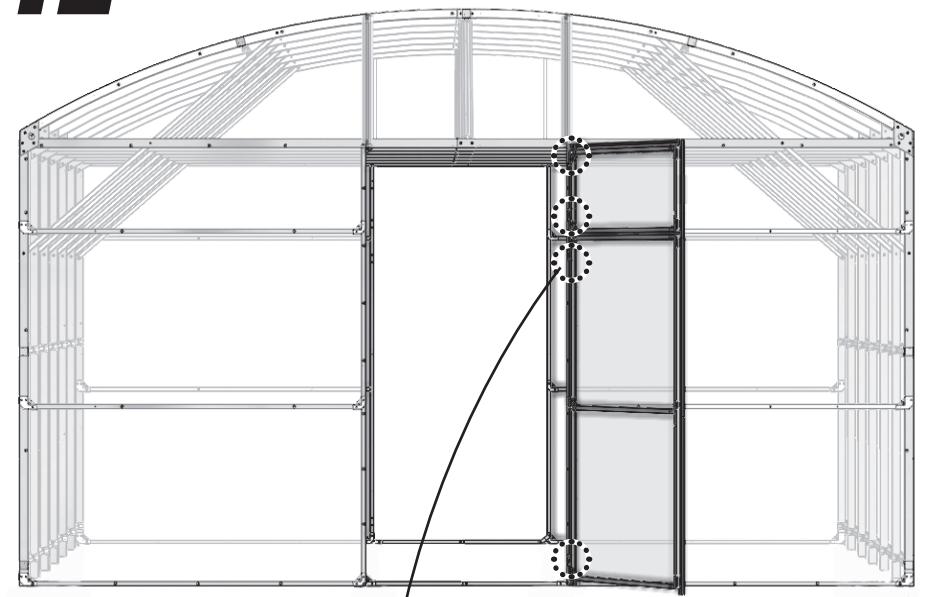
№7 y8 x1



№8 x27



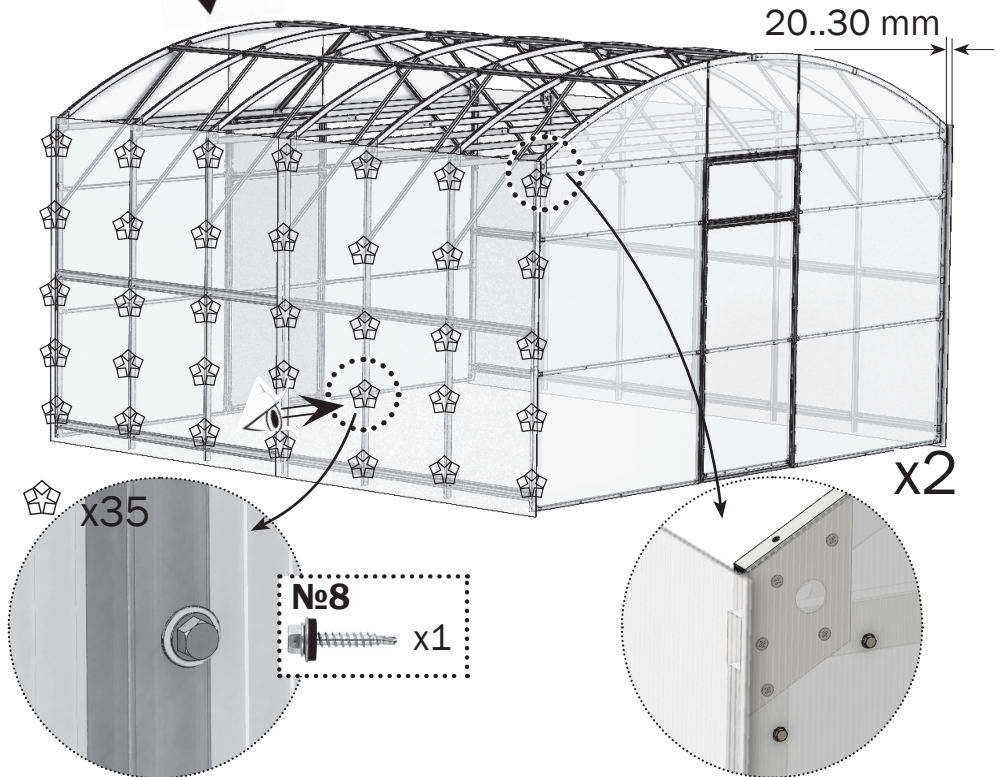
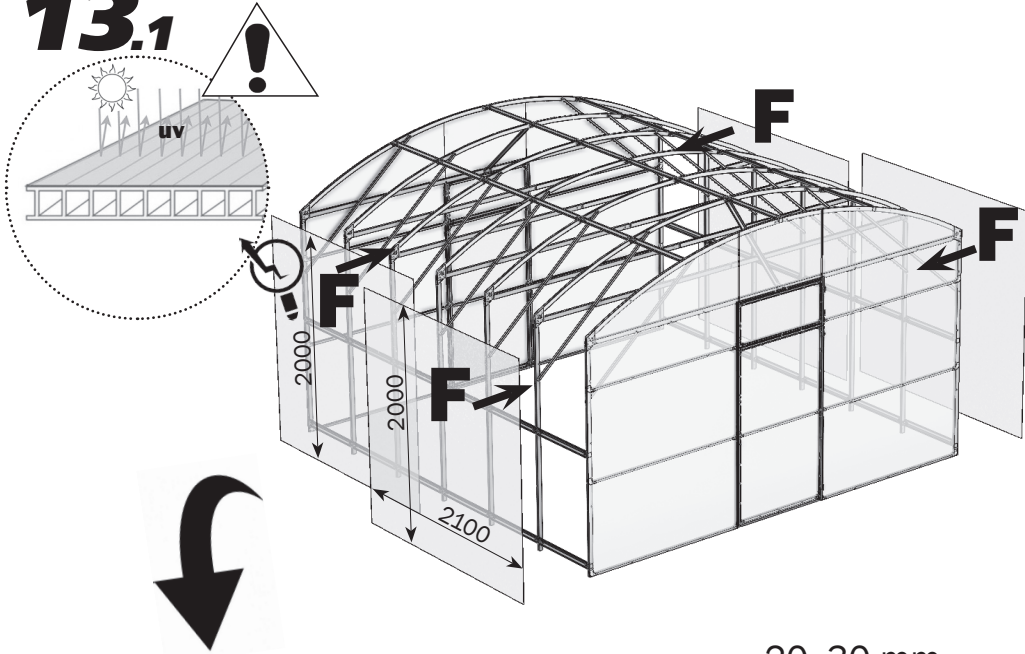
12



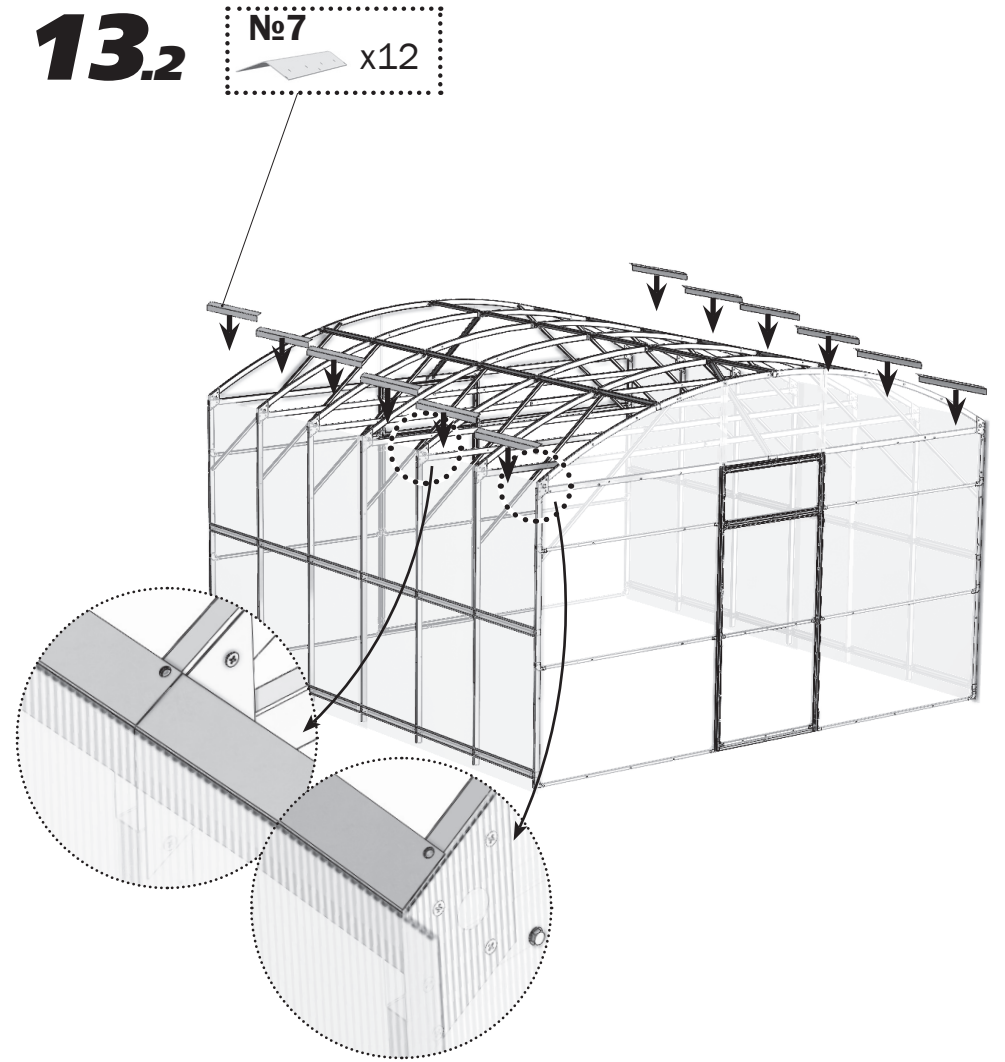
№8 M5x30 M5 x2

x2

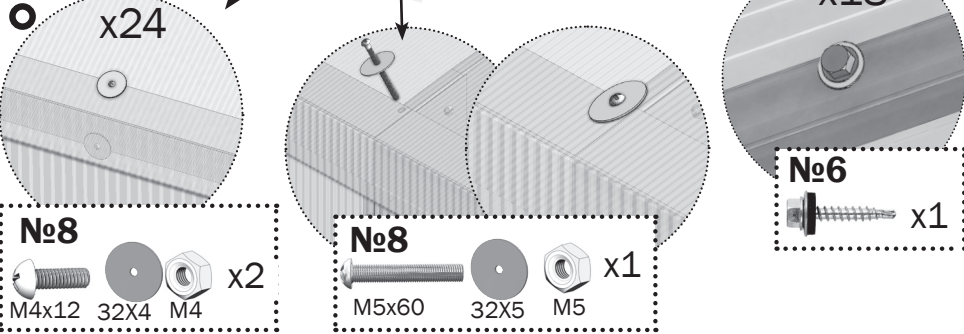
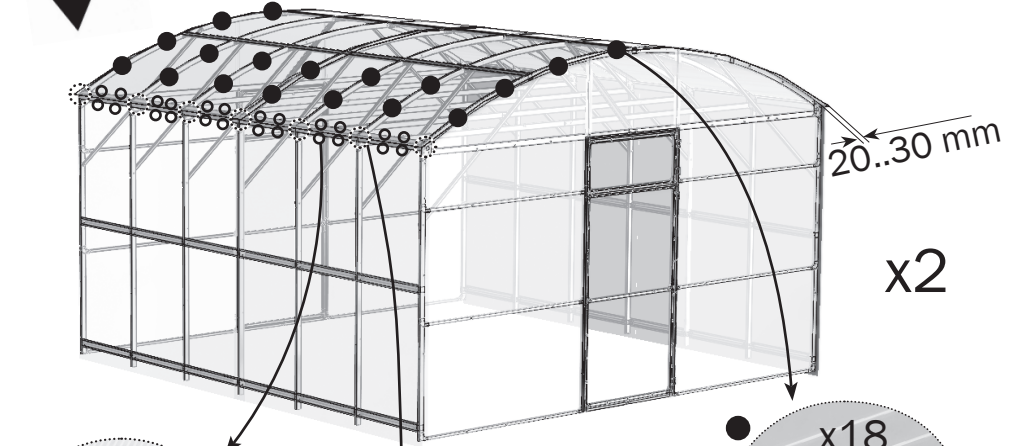
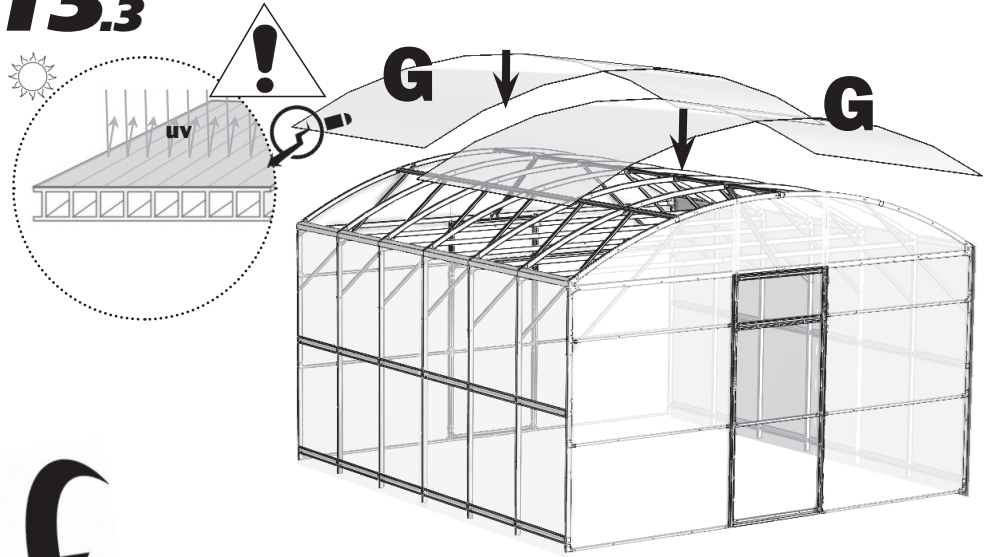
13.1



13.2



13.3



14

